

## Product information sheet SUBLINE 480/320-U

Item no. 525993

### Benefits

---



- Undermount bowl for discerning demands on design
- Undermount bowl for solid surface worktops
- Timelessly elegant, contoured bowl design
- Entire system for a wide variety of plans featuring large and small bowls
- High-quality features with drain remote control, covered C-overflow and InFino drain system – elegantly integrated and easy-care

### Colours

---



SILGRANIT black

#### Available colours:

- black
- anthracite
- rock grey
- volcano grey
- alumetallic
- white
- soft white
- tartufo
- coffee

## Planning information

---

- Cut out size: 825 x 400 x R10

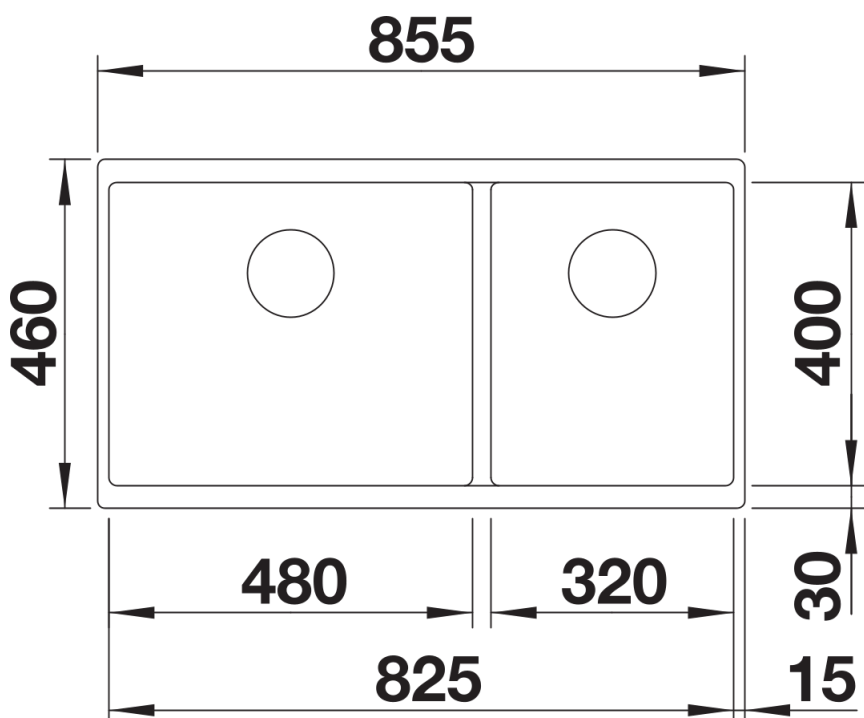
## Scope of supply

---

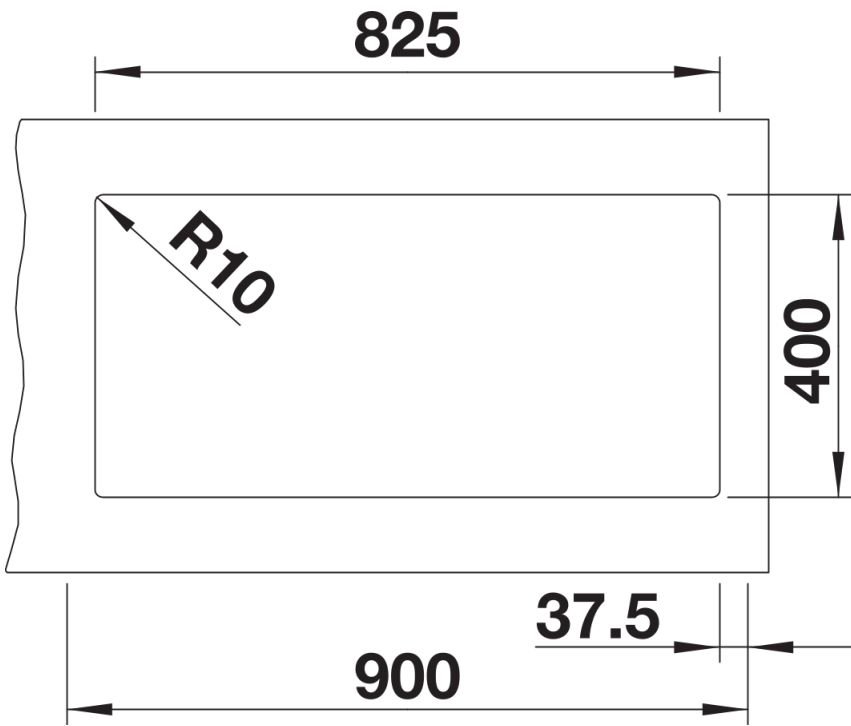
- Waste fitting with space-saving pipe
- two 3 ½" InFino basket strainer

## Details

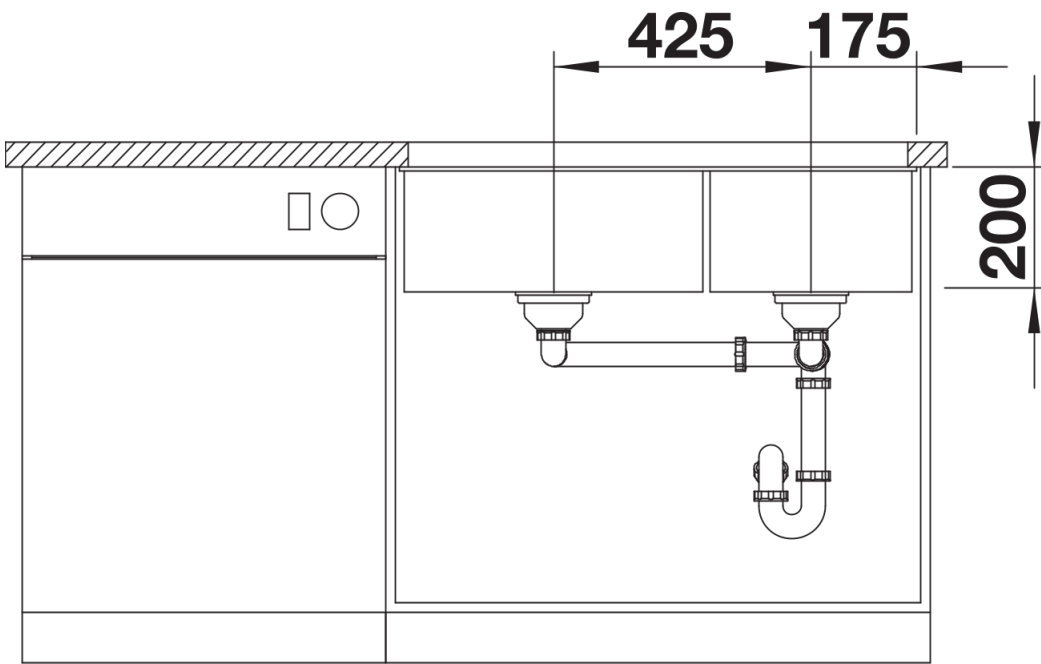
---



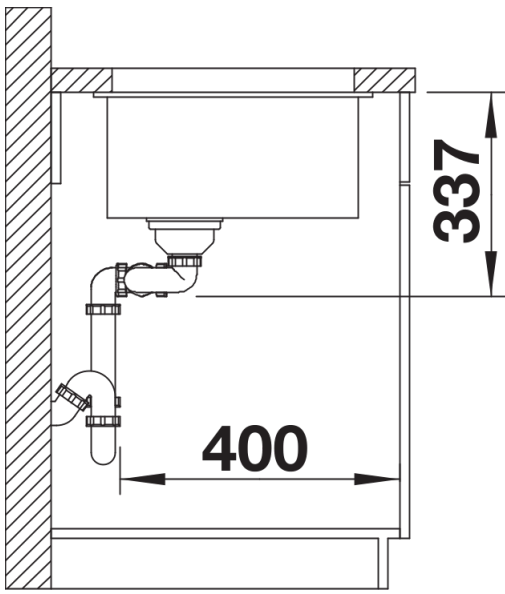
Top view



Cut-out



Front view



Side view