

Product information sheet SUBLINE 480/320-U

Item no. 527168

Benefits



- Our versatile SUBLINE kitchen sink range fits harmoniously into the worktop: great for minimalist kitchens
- Straight-lined design: timelessly elegant
- Spacious main bowl and additional smaller bowl for easy food prep
- Elegant InFino strainer for swift water drainage

Colours



SILGRANIT soft white

Available colours:

- black
- anthracite
- rock grey
- volcano grey
- white
- soft white
- tartufo
- coffee

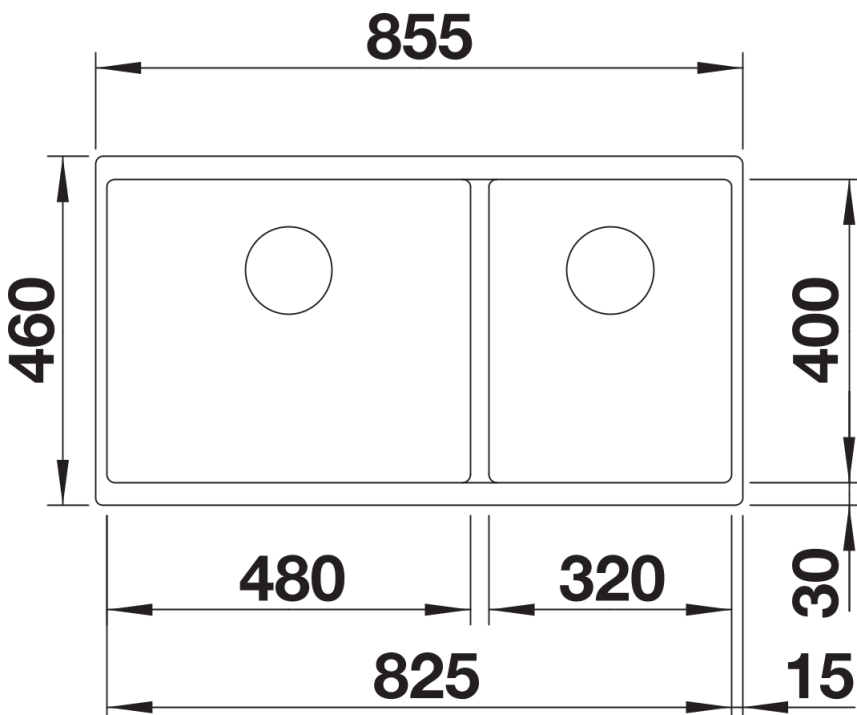
Planning information

- Cut out size: 825 x 400 x R10

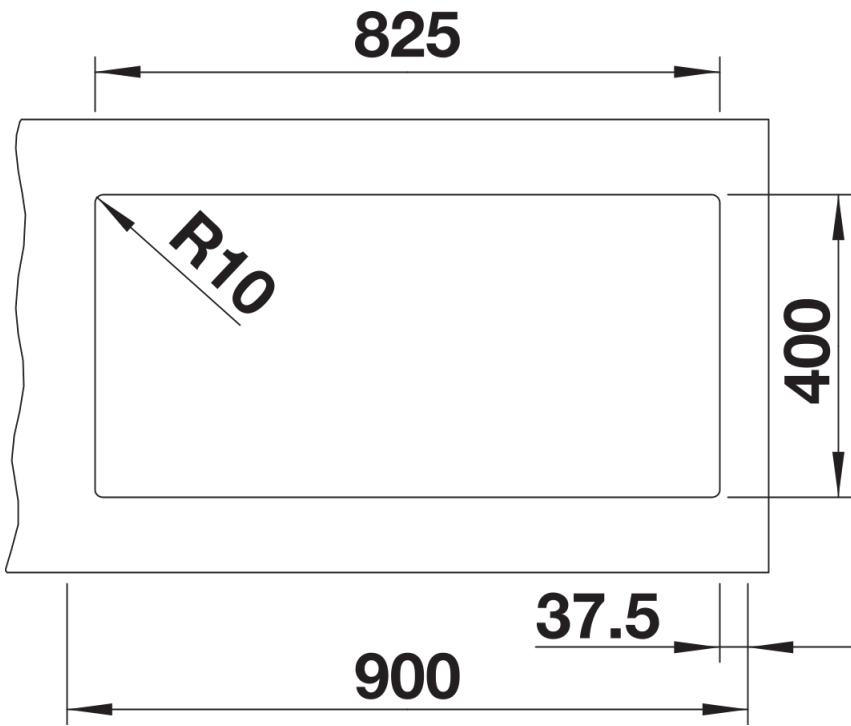
Scope of supply

- Waste fitting with space-saving pipe
- 2 x 3 ½" InFino basket strainers

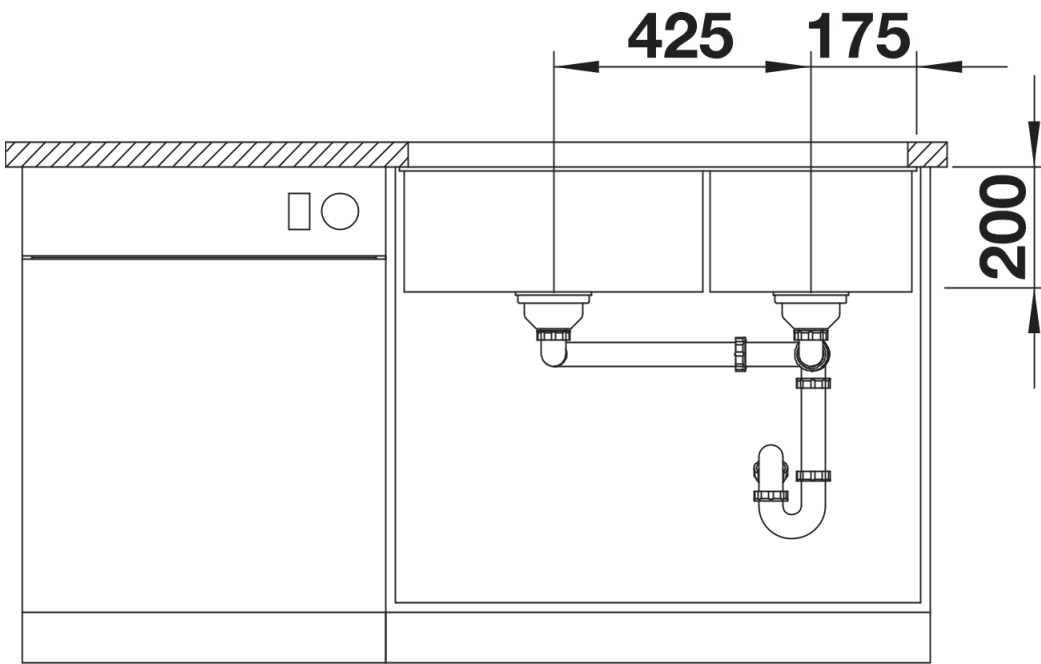
Details



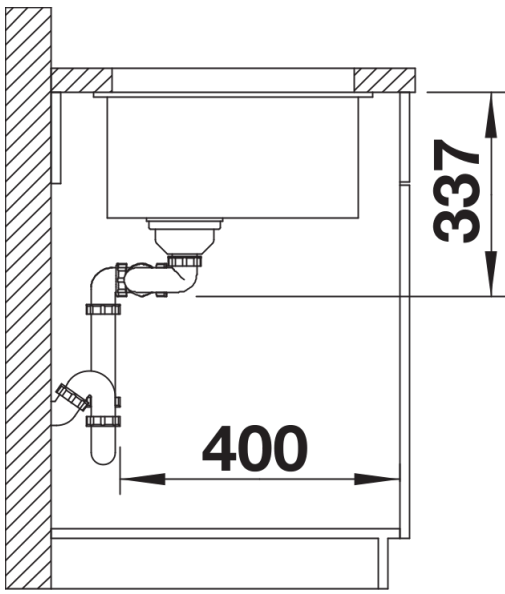
Top view



Cut-out



Front view



Side view