

Product information sheet SUBLINE 700-U

Item no. 523443

Benefits



- Our versatile SUBLINE kitchen sink range fits harmoniously into the worktop: great for minimalist kitchens
- Straight-lined design: timelessly elegant
- Extra large bowl for soaking and cleaning big baking trays, pots and pans
- Elegant InFino strainer for swift water drainage

Colours



Available colours:

black
anthracite
rock grey
volcano grey
white
soft white
tartufo
coffee

SILGRANIT rock grey

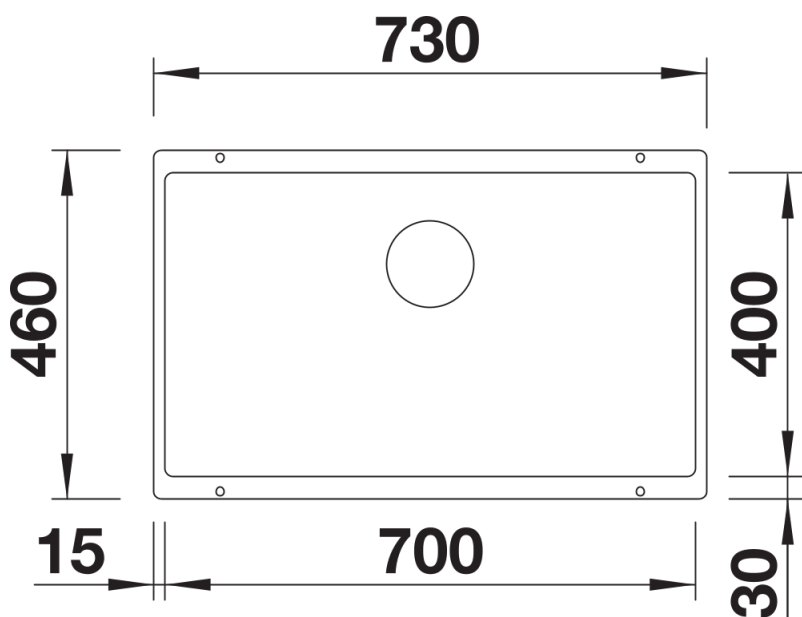
Planning information

- Cut out: 700 x 400 x R10

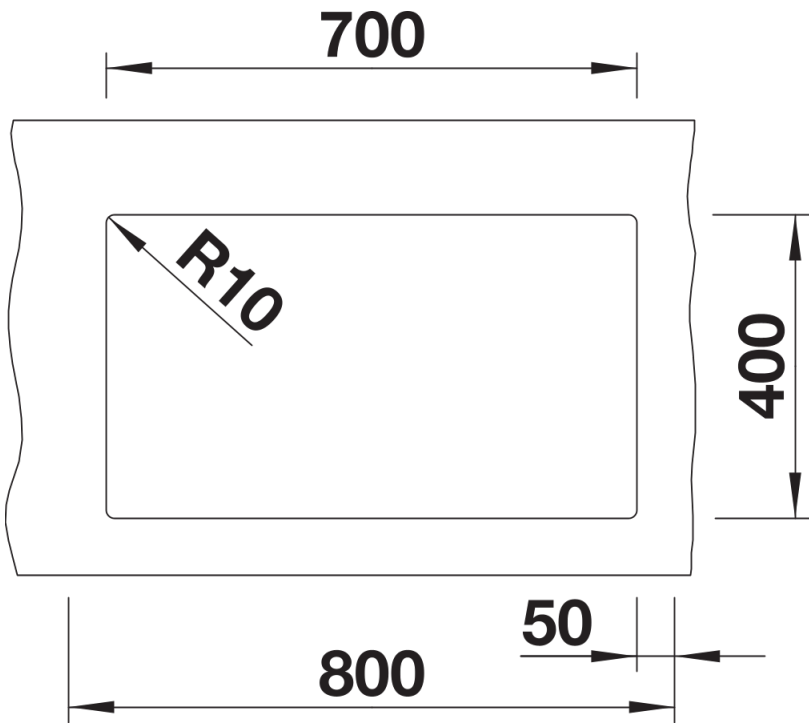
Scope of supply

- Waste fitting with space-saving pipe
- 3 ½" InFino basket strainer

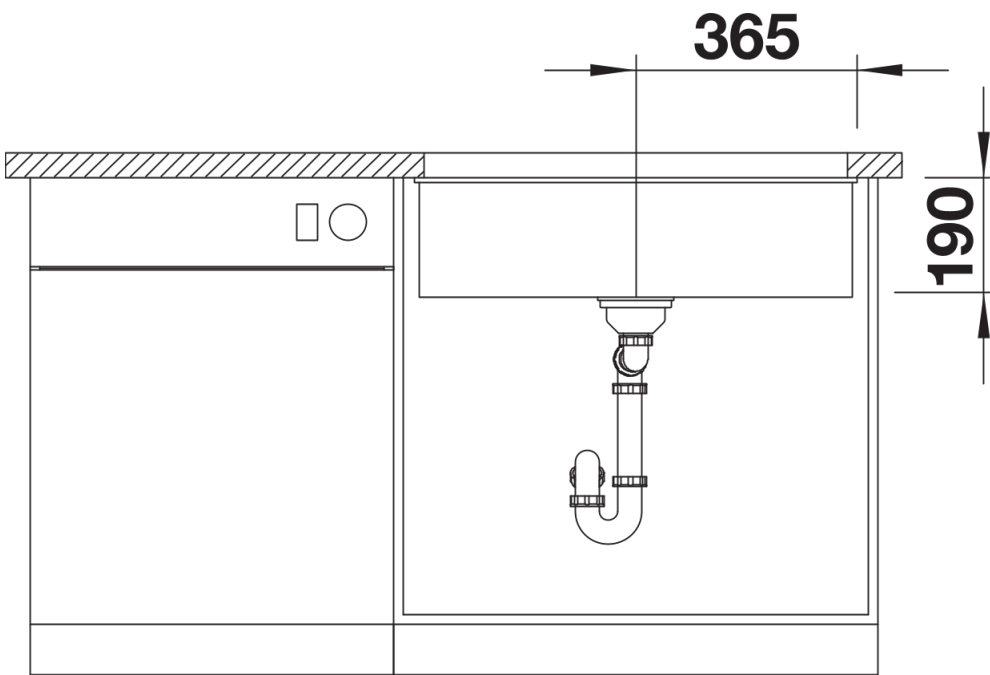
Details



Top view



Cut-out



Front view



Side view