

## Product information sheet ZIA 45 S Compact

Item no. 526009

### Benefits

---



- Modern design with clear lines
- Allows functional and convenient working
- Compact outer dimensions thanks to reduced draining area
- Classic bowl arrangement for reversible installation

### Colours

---



Available colours:

- black
- anthracite
- volcano grey
- alu metallic
- white
- soft white
- coffee

SILGRANIT black

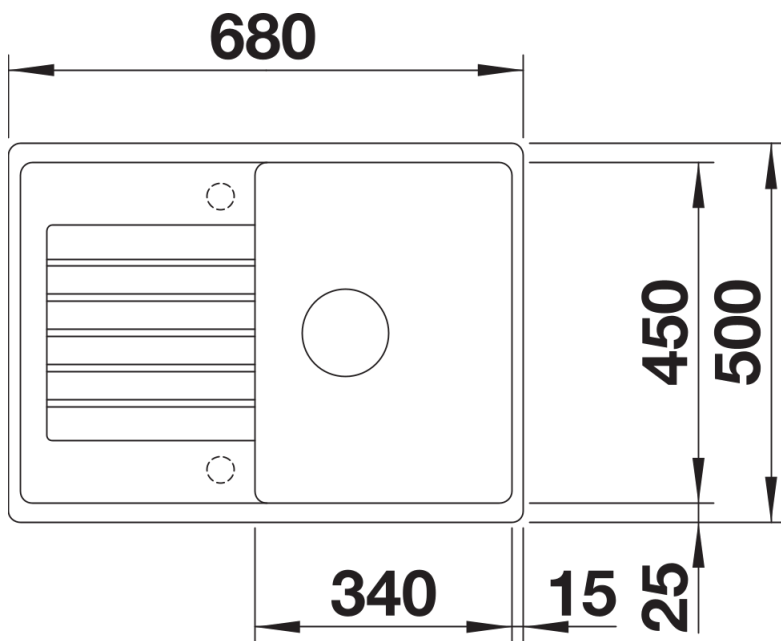
## Scope of supply

---

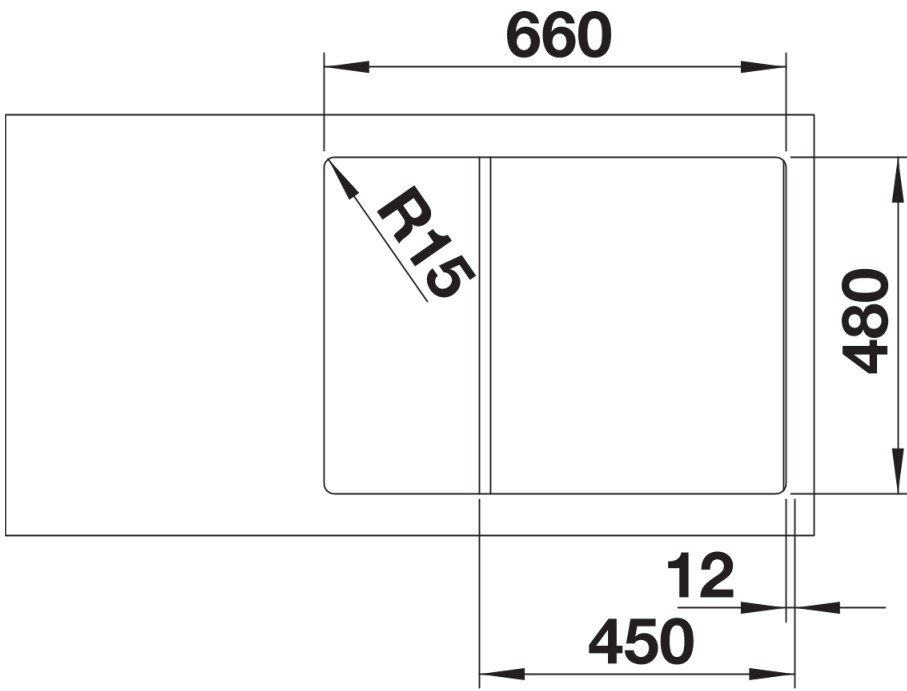
- waste kit with space-saving pipe
- 3 1/2" basket strainer

## Details

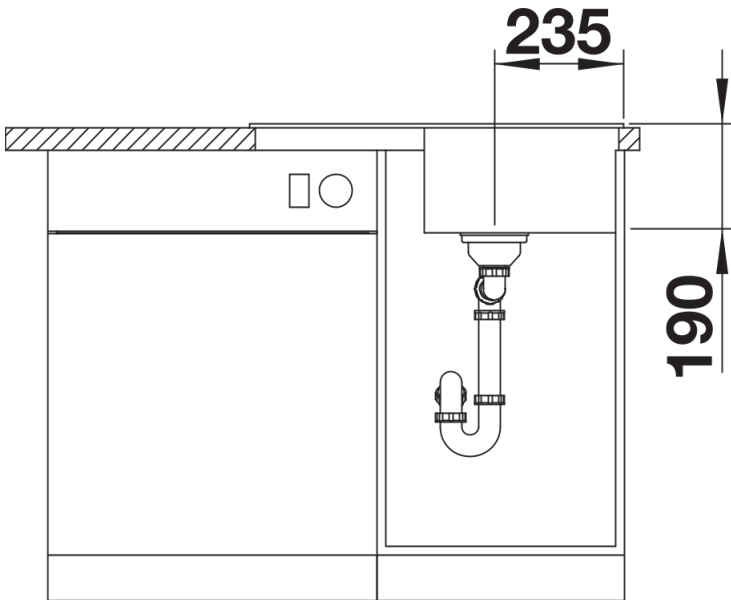
---



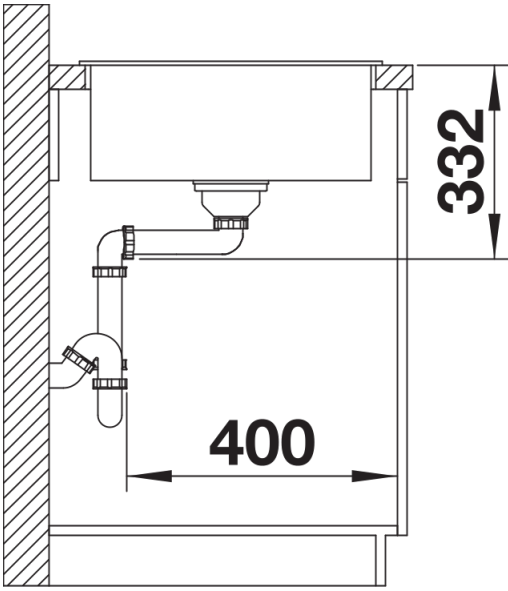
Top view



Cut-out



Front view



Side view