

Product information sheet ZIA 45 S Compact

Item no. 524721

Benefits



- Modern design with clear lines
- Allows functional and convenient working
- Compact outer dimensions thanks to reduced draining area
- Classic bowl arrangement for reversible installation

Colours



Available colours:

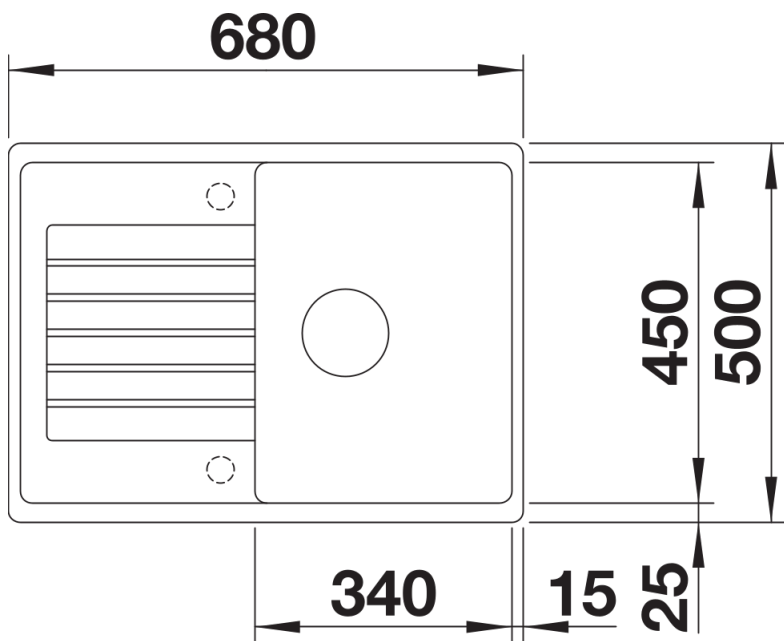
black
anthracite
volcano grey
white
soft white
coffee

SILGRANIT anthracite

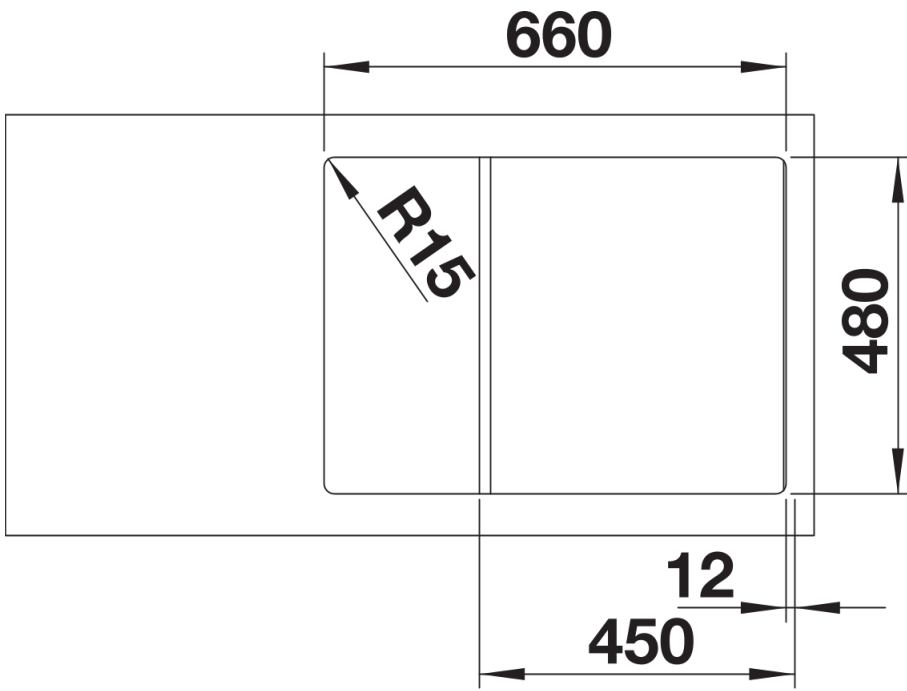
Scope of supply

- waste kit with space-saving pipe
- 3 1/2" basket strainer

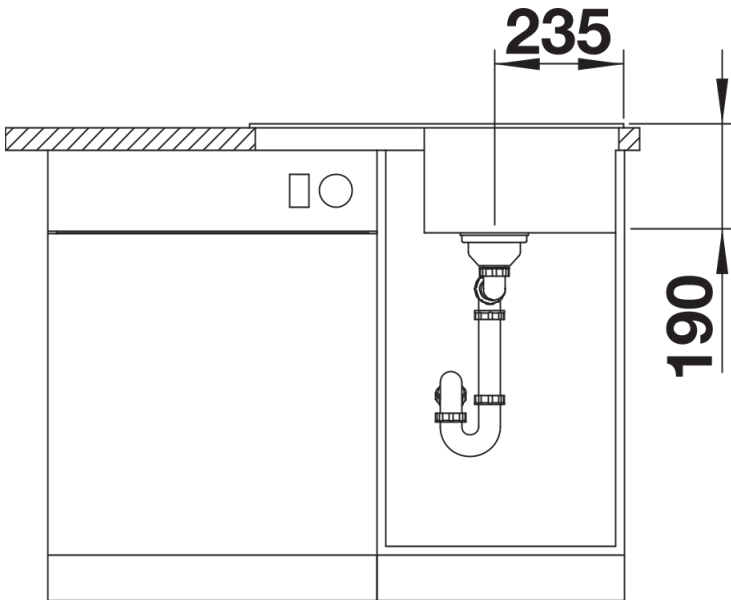
Details



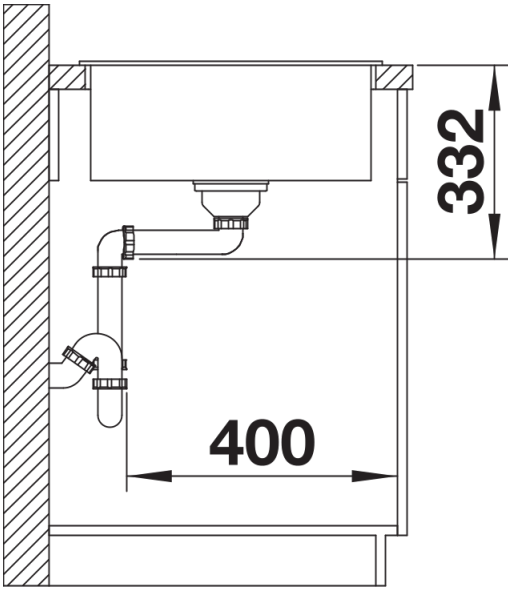
Top view



Cut-out



Front view



Side view