

## Product information sheet ELON 45 S

Item no. 525880

### Benefits

---



- Compact single-bowl sink for small kitchens
- Large bowl size for 45 cm cabinet
- Clever extendable drainer thanks to the movable stainless steel grid
- Modern undulating design of sink and accessories match each other
- Multifunctional stainless steel drainer grid included in the delivery
- High-quality features with InFino drain system - elegantly integrated and easy-care
- Tap ledge on side, also convenient for window installation
- Can be installed reversibly

## Colours

---



Available colours:

black  
anthracite  
rock grey  
volcano grey  
white  
soft white  
tartufo  
coffee

SILGRANIT black

## Scope of supply

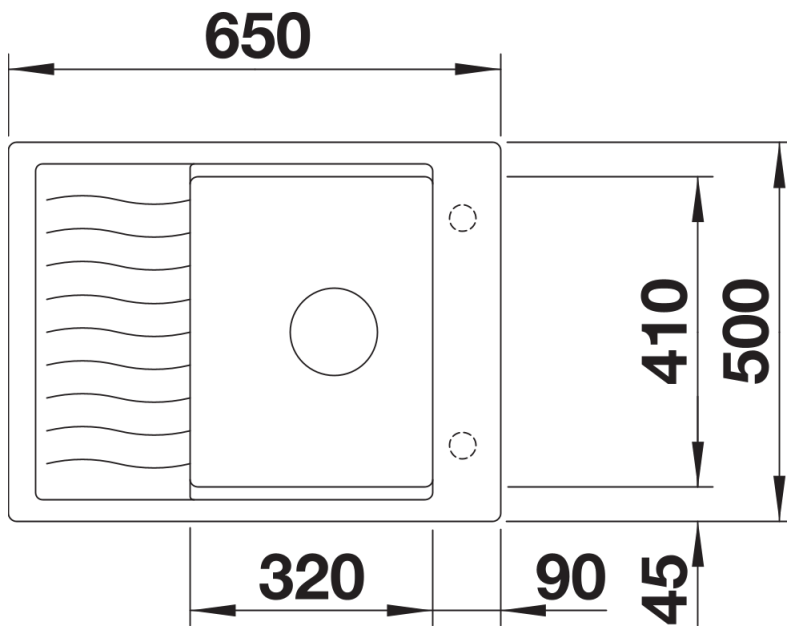
---

- stainless steel drainer grid
- waste kit with space-saving pipe
- 3 ½" InFino basket strainer

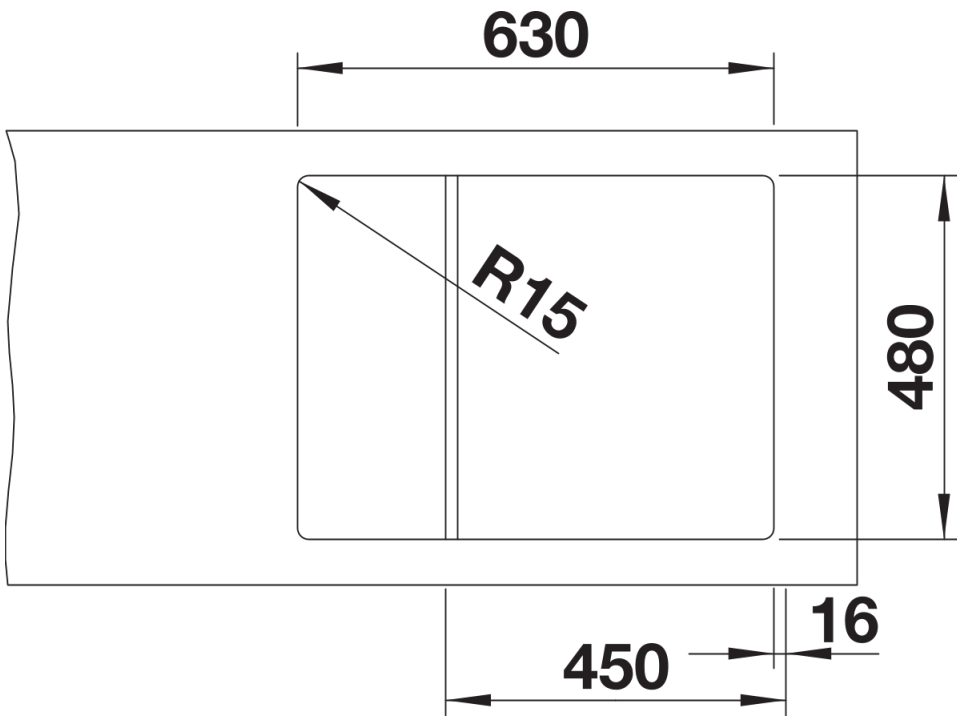
229234 - Stainless steel grid

## Details

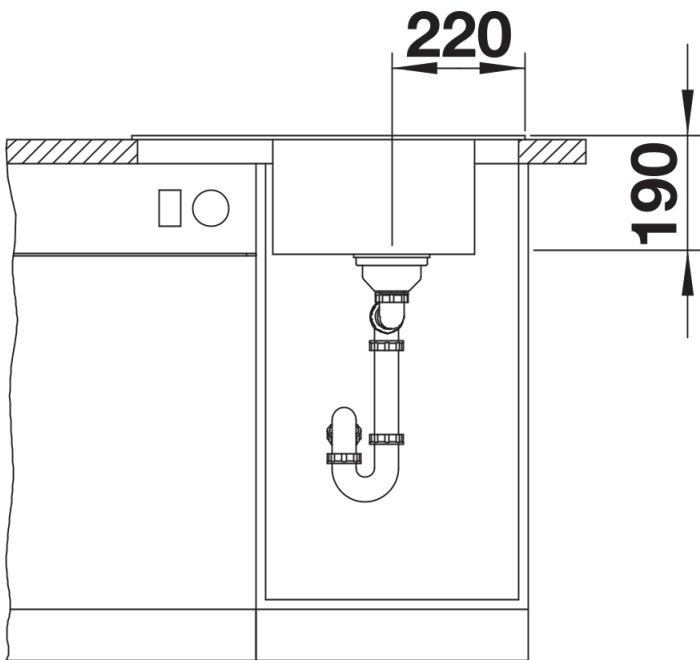
---



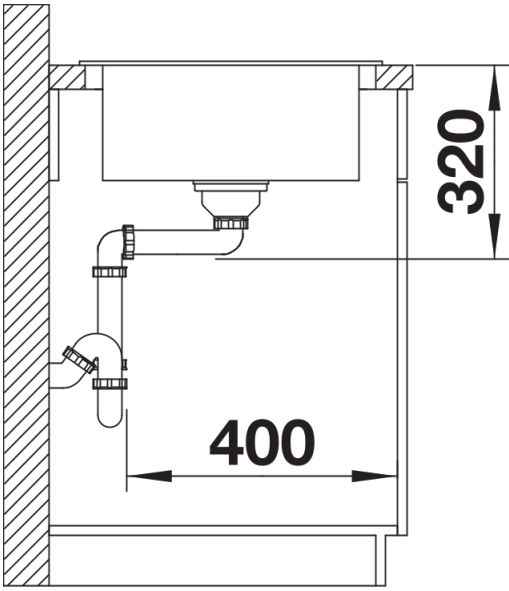
Top view



Cut-out



Front view



Side view