

Product information sheet ELON XL 6 S-F

Item no. 524854

Benefits



- Compact single-bowl sink, also suitable for small kitchens
- Practical, comfortable XL bowl
- Clever extendable drainer thanks to the movable stainless steel grid
- Modern undulating design of sink and accessories match each other
- Multifunctional stainless steel drainer grid included in the delivery
- High-quality features with InFino drain system with remote control - elegantly integrated and easy-care
- Tap ledge on side, also convenient for window installation
- Can be installed reversibly

Colours



Available colours:

black
anthracite
rock grey
volcano grey
white
soft white
coffee

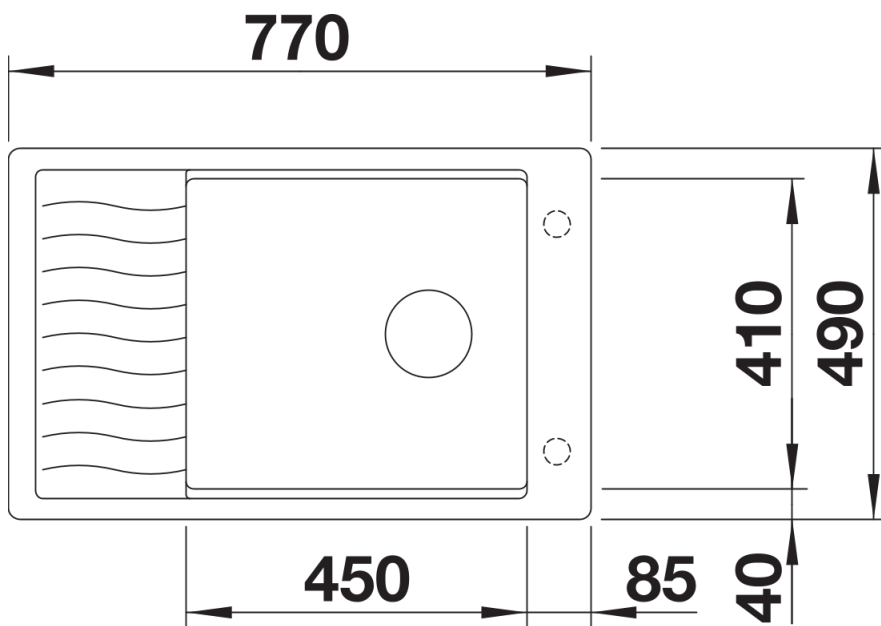
SILGRANIT anthracite

Scope of supply

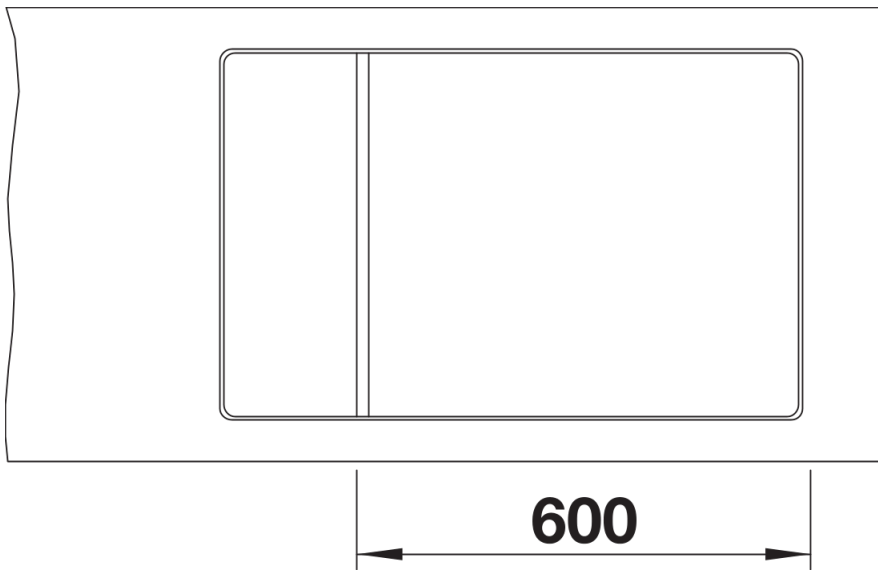
- stainless steel drainer grid
- waste kit with space-saving pipe
- 3 ½" InFino basket strainer with drain remote control (rotary switch)

229234 - Stainless steel grid

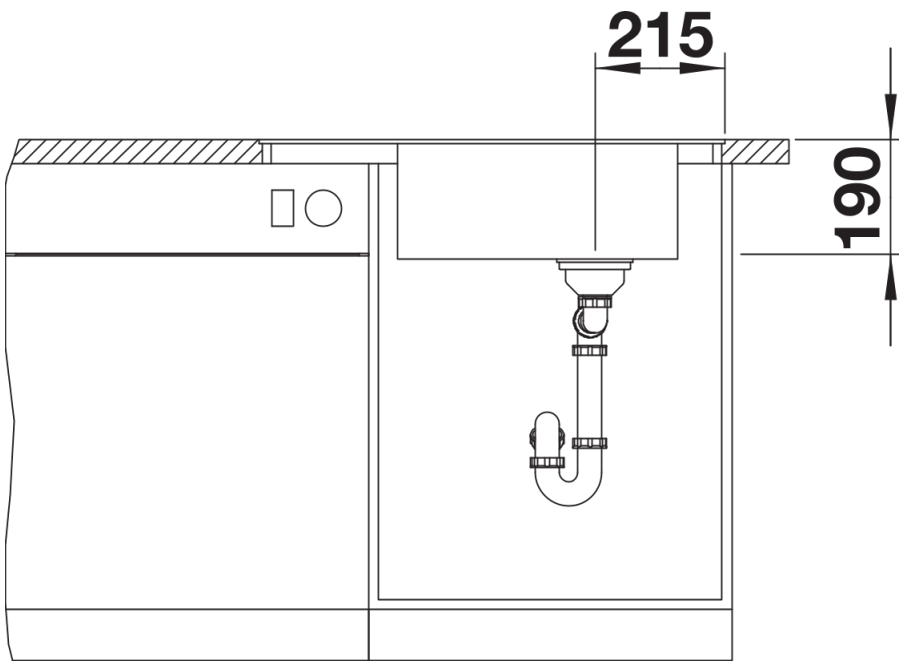
Details



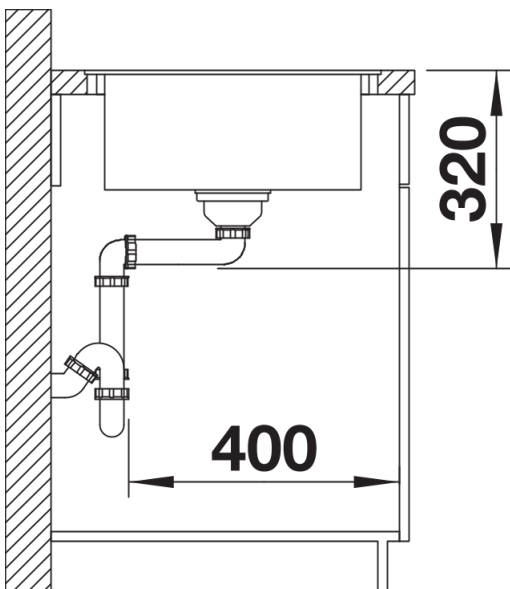
Top view



Cut-out



Front view



Side view