

Product information sheet PALONA 6

Item no. 524738

Benefits



- Modern design for contemporary kitchen worlds
- Low-profile rim design
- Spacious, deep single bowl with continuous tap ledge
- High-quality features with the covered C-overflow and InFino drain system – elegantly integrated and easy-care
- For the 60-cm base cabinet

Colours



Available colours:

- black
- basalt
- crystal white glossy
- magnolia glossy

Ceramic PuraPlus black

Planning information

- Holes for a kitchen mixer tap and drain remote control are provided.

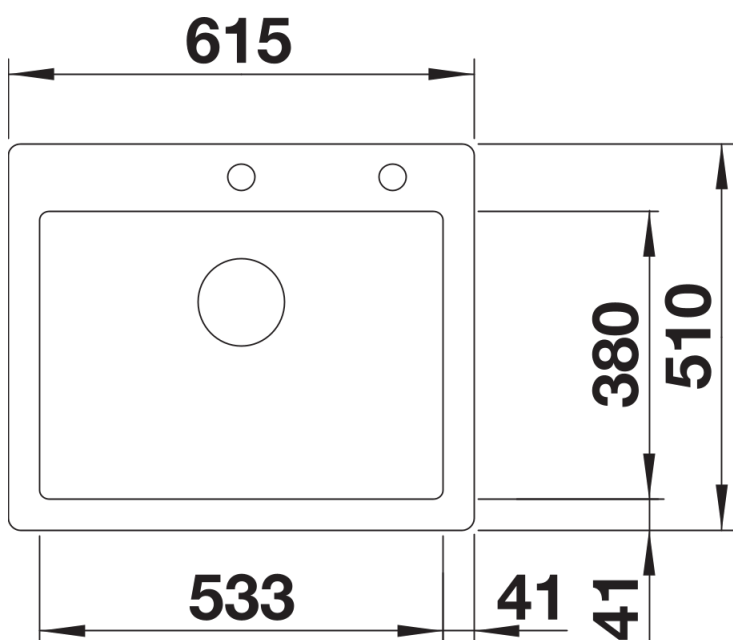
Installing a kitchen mixer tap or drain remote control in Ceramic sinks requires a flexible sealing tape, item no. 120 055.

Includes: two tap holes, drain remote control and PuraPlus coating.

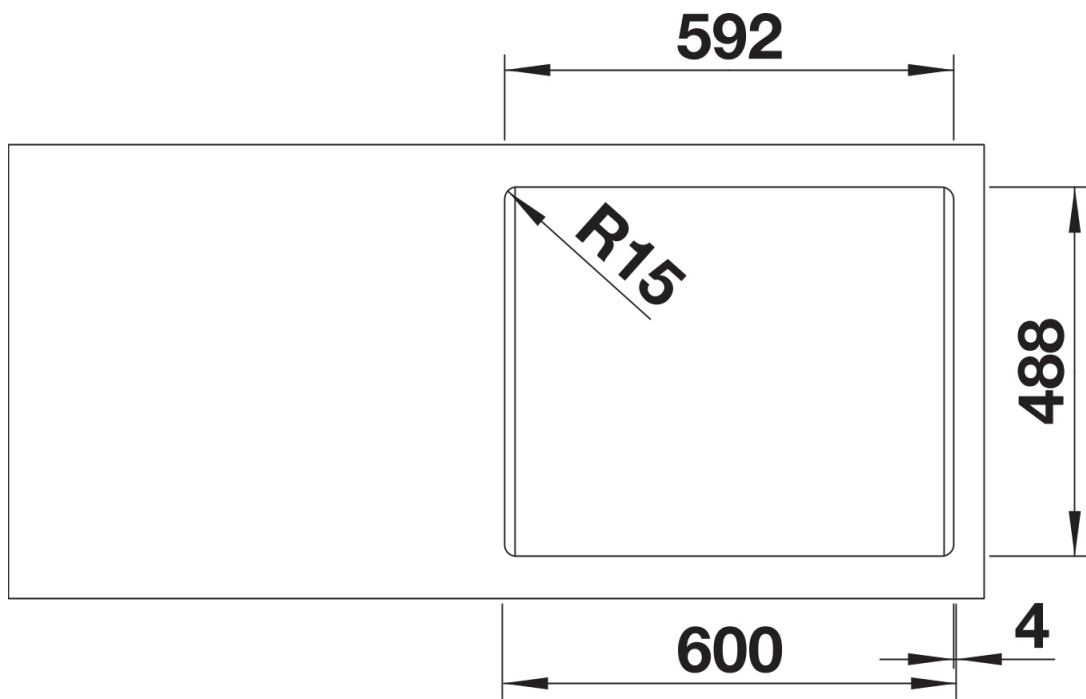
Scope of supply

- waste kit with space-saving pipe
- 3 ½" InFino basket strainer with drain remote control (pop-up)

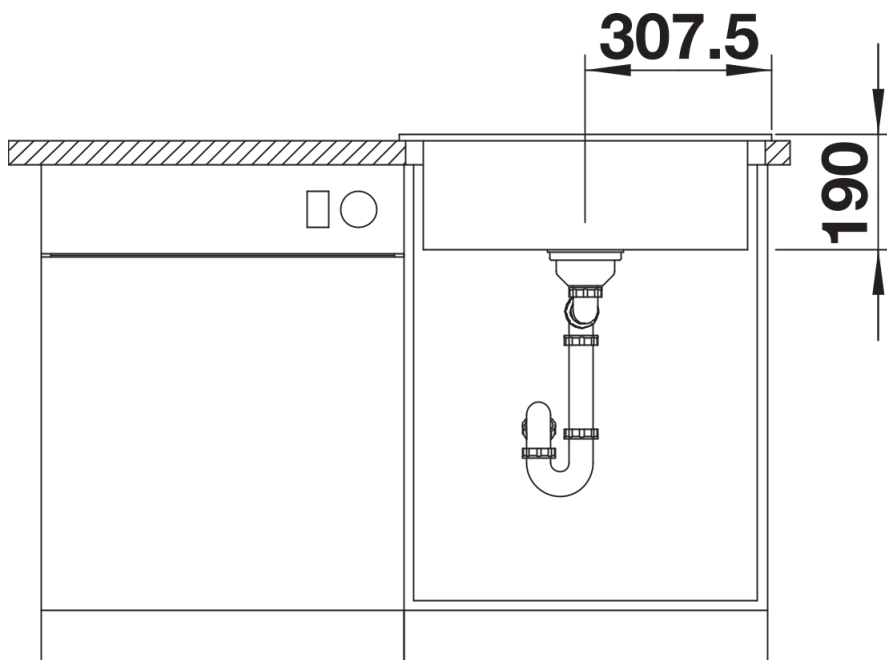
Details



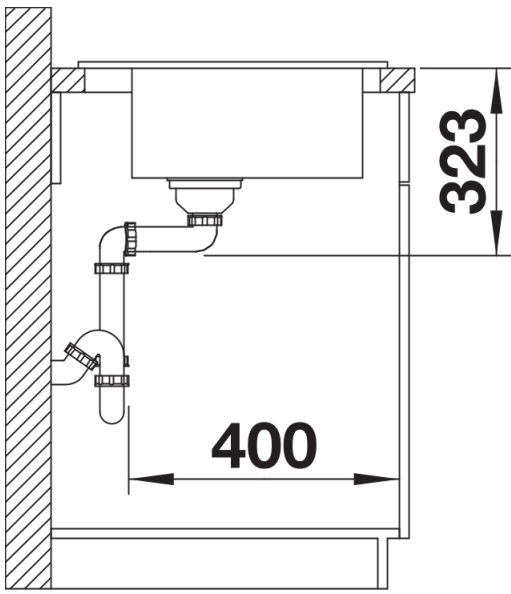
Top view



Cut-out



Front view



Side view