

Product information sheet DINAS XL 6 S Compact

Item no. 525121

Benefits

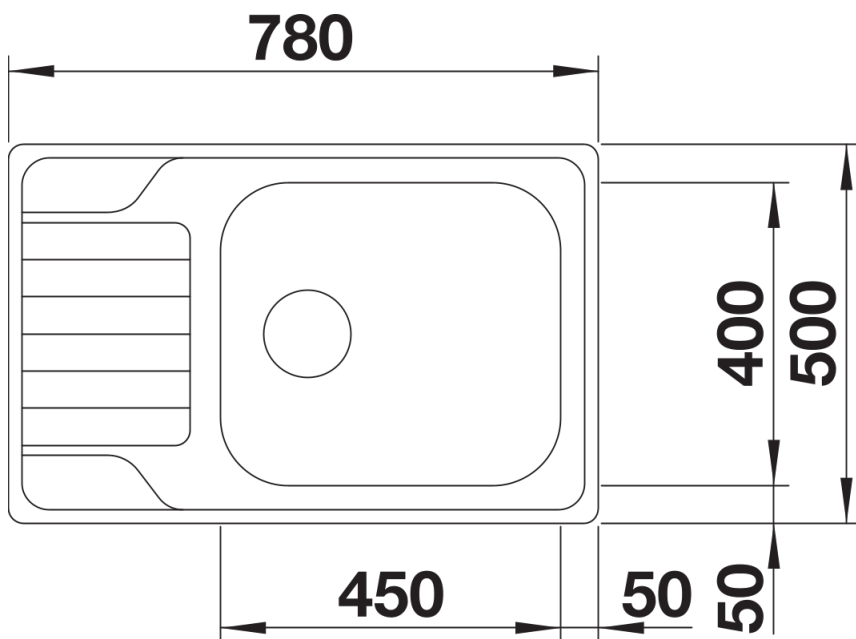


- Harmonious, timeless design
- Spacious XL bowl
- Compact draining area
- Can be installed reversibly
- 3 ½" basket strainer

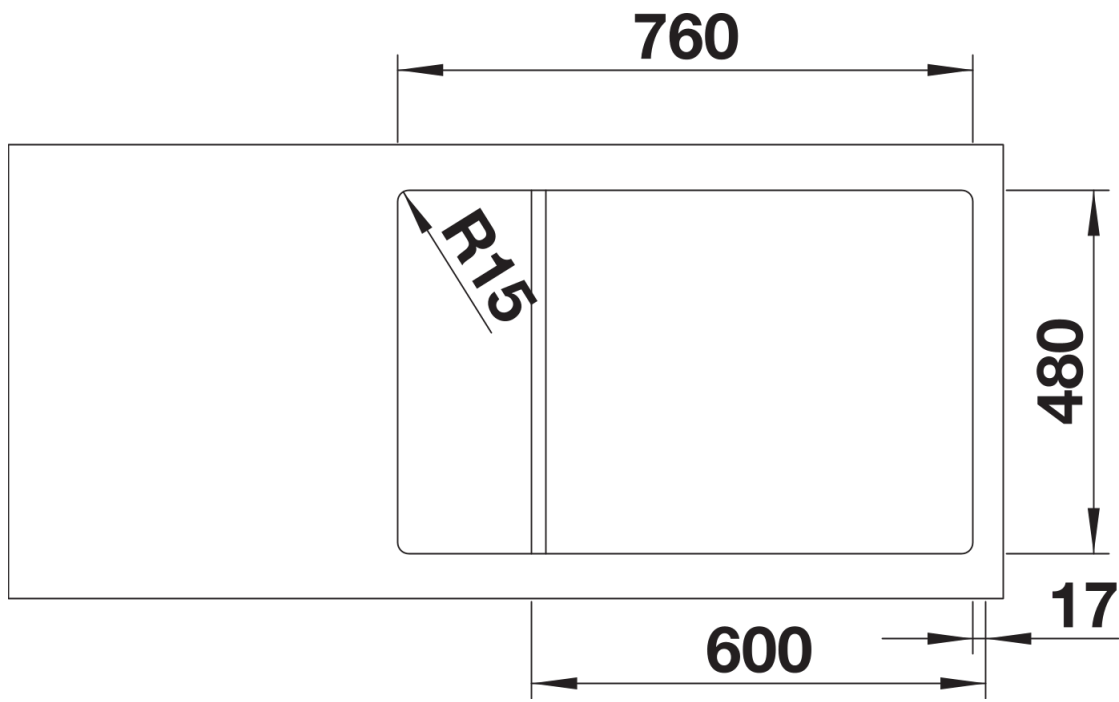
Scope of supply

- waste kit with space-saving pipe
- 3 ½" basket strainer
- seal

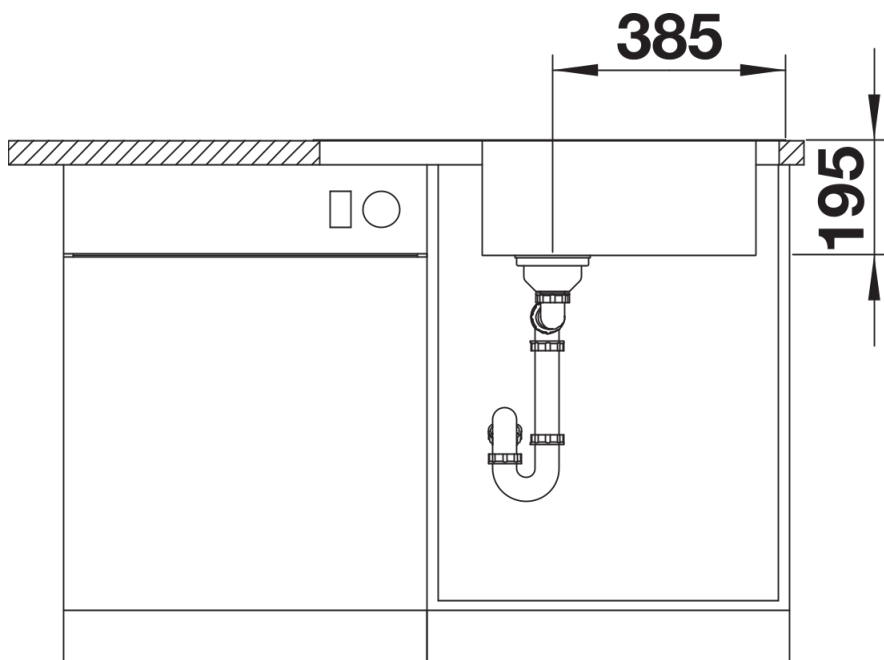
Details



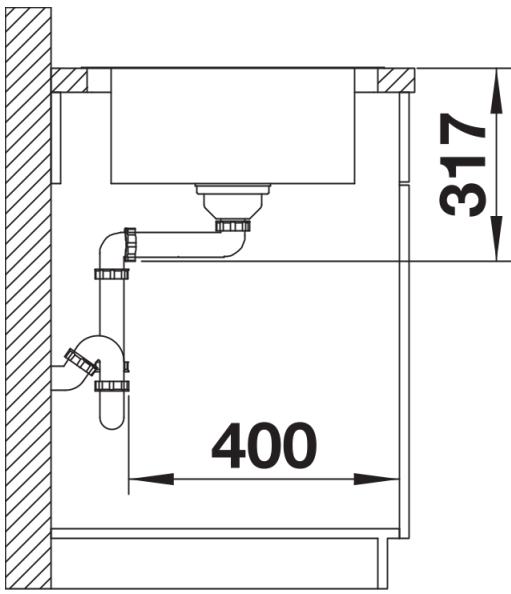
Top view



Cut-out



Front view



Side view