

Product information sheet DINAS 45 S Mini

Item no. 525123

Benefits

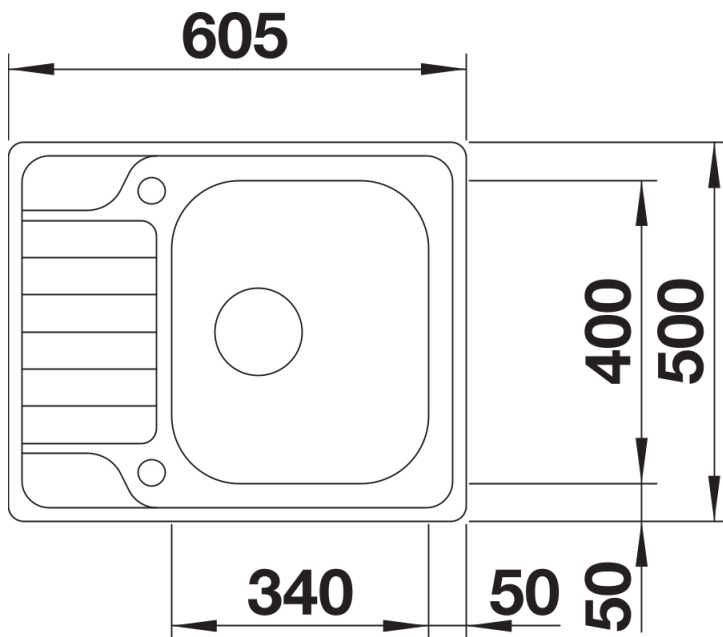


- Harmonious, timeless design
- Roomy bowl
- Compact draining area
- Can be installed reversibly
- 3 ½" basket strainer
- Versions with and without remote control

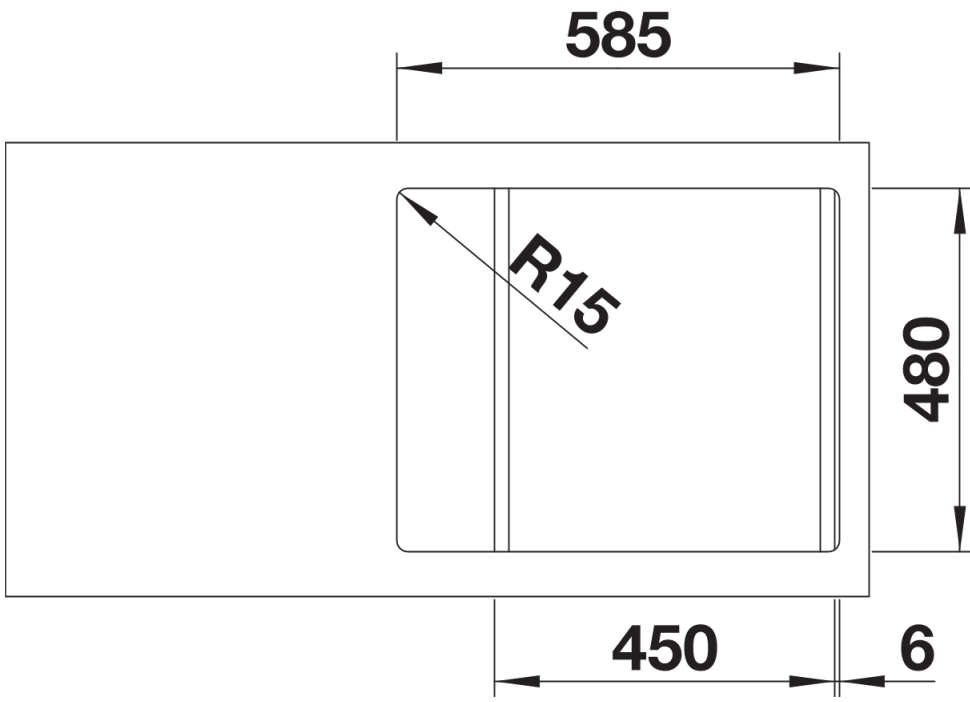
Scope of supply

- waste kit with space-saving pipe
- 3 1/2" basket strainer with drain remote control (rotary switch)
- seal

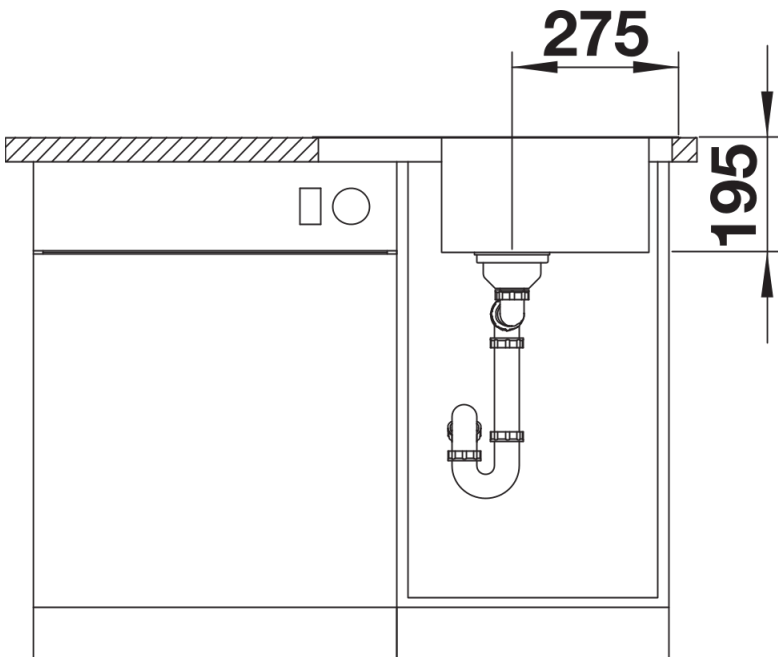
Details



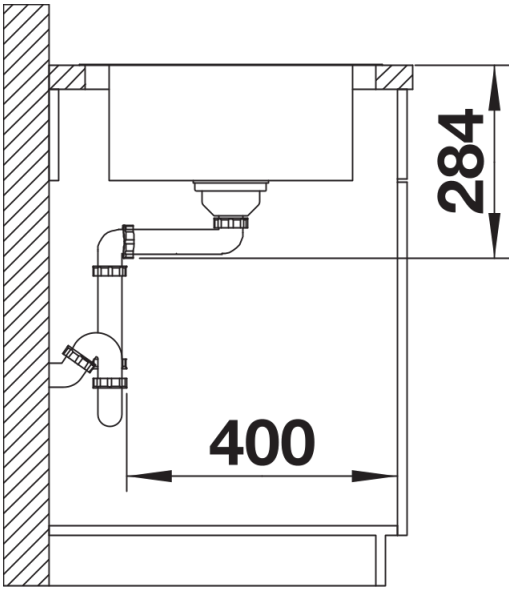
Top view



Cut-out



Front view



Side view