

## Product information sheet DINAS XL 6 S

Item no. 524255

### Benefits

---



- Harmonious, timeless design
- Particularly spacious XL bowl
- Spacious draining area
- Can be installed reversibly
- 3 ½" basket strainer
- With remote control

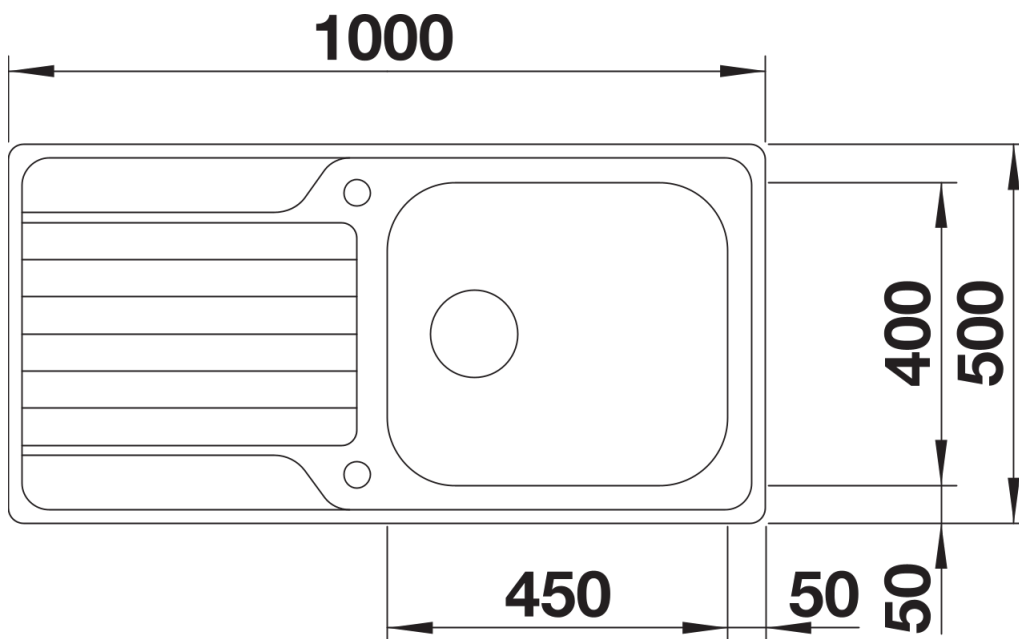
## Scope of supply

---

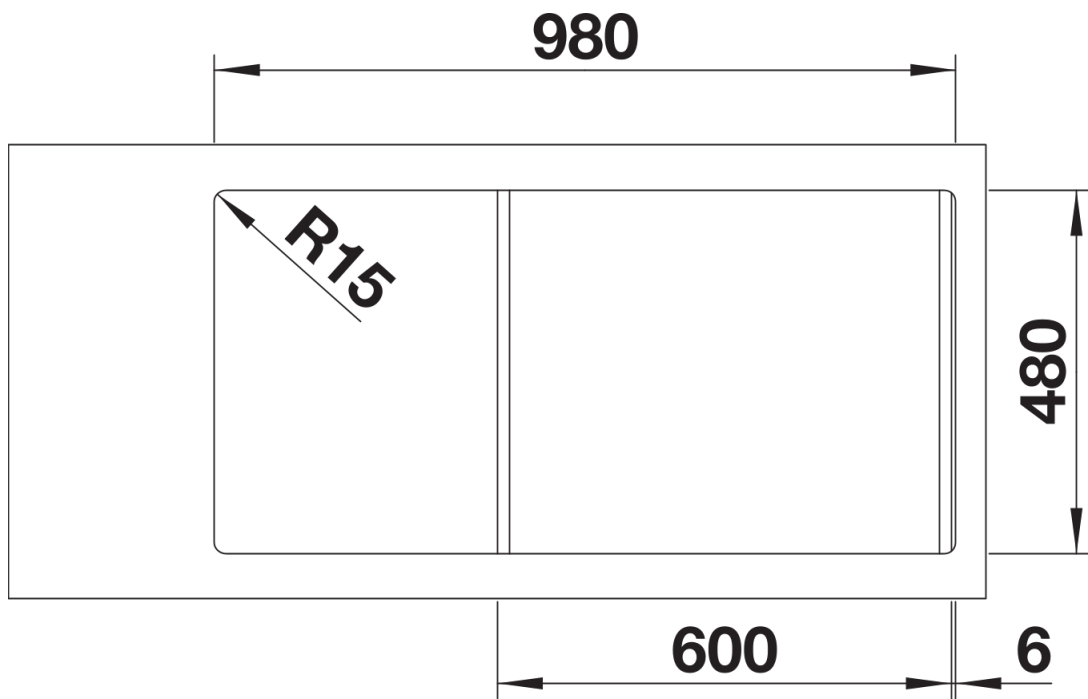
- waste kit with space-saving pipe
- 3 ½" basket strainer with drain remote control (rotary switch)
- seal

## Details

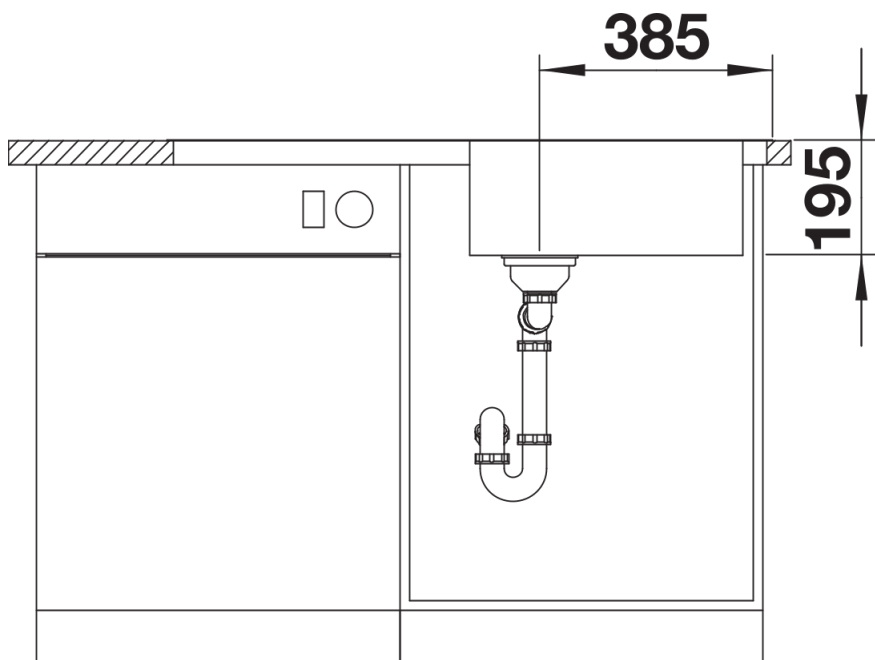
---



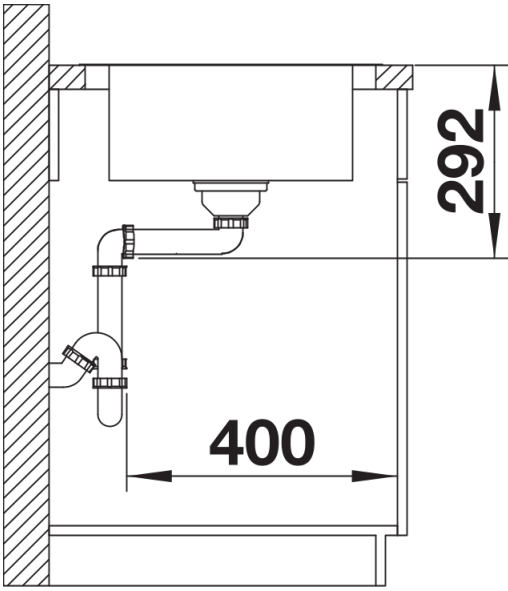
Top view



Cut-out



Front view



Side view