

Product information sheet CLARON 400-IF/A Durinox

Item no. 523392

Benefits

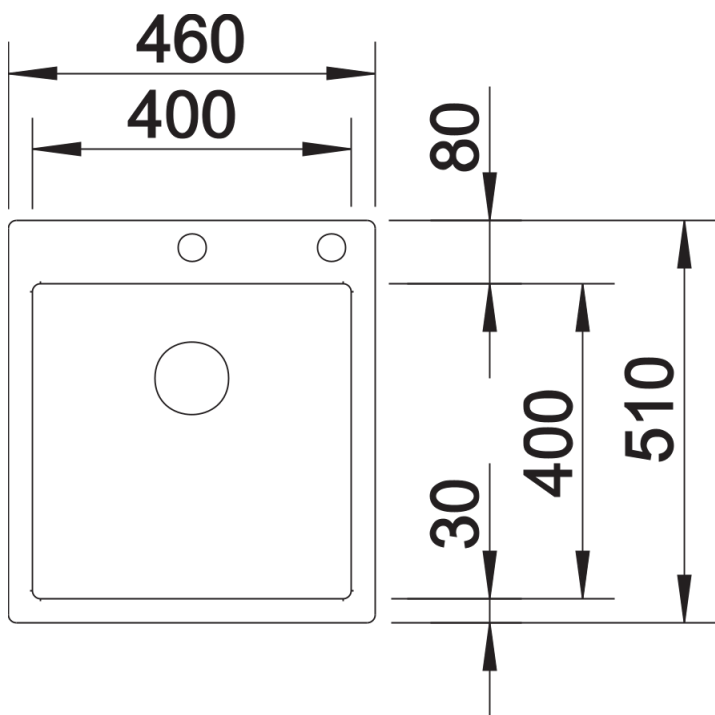


- Pure, elegant design with concise corner radii of 10 mm
- Matt velvet look with a homogeneous surface structure, and pleasantly warm to the touch
- Sophisticated surface: highly resistant to scratches
- High-quality features with the covered C-overflow and InFino drain system - elegantly integrated and easy-care
- Augmented stability of the tap ledge due to the extensive stabilisation technology

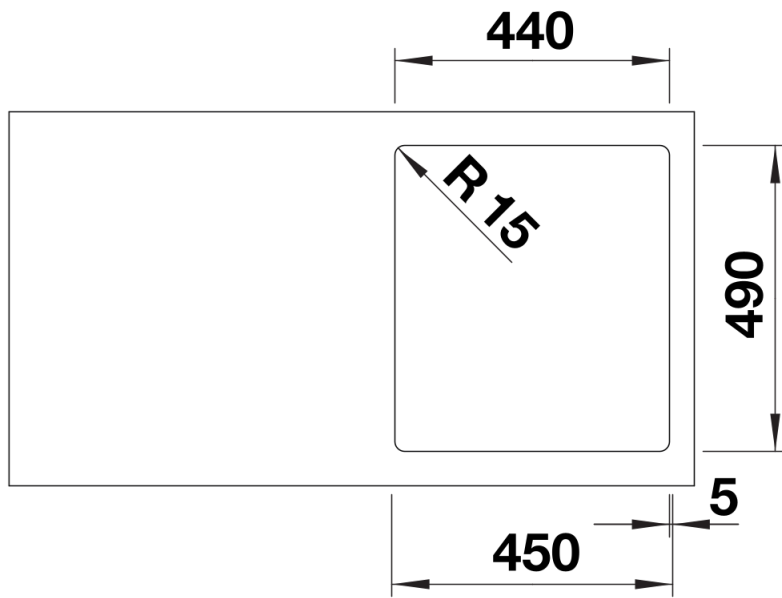
Scope of supply

- waste kit with space saving pipe
- 3 ½" InFino basket strainer with drain remote control (PushControl)
- fixing kit

Details



Top view



Cut-out