

## Product information sheet CLARON 340-U Durinox

Item no. 523384

### Benefits

---



- Pure, elegant design with concise corner radii of 10 mm
- Matt velvet look with a homogeneous surface structure, and pleasantly warm to the touch
- Sophisticated surface: highly resistant to scratches
- High-quality features with the covered C-overflow and InFino drain system - elegantly integrated and easy-care
- Optimum utilisation of the bowl capacity thanks to extra-deep bowls and distinctively small radii

## Planning information

---

- Please order drain connections for combinations of two individual bowls separately

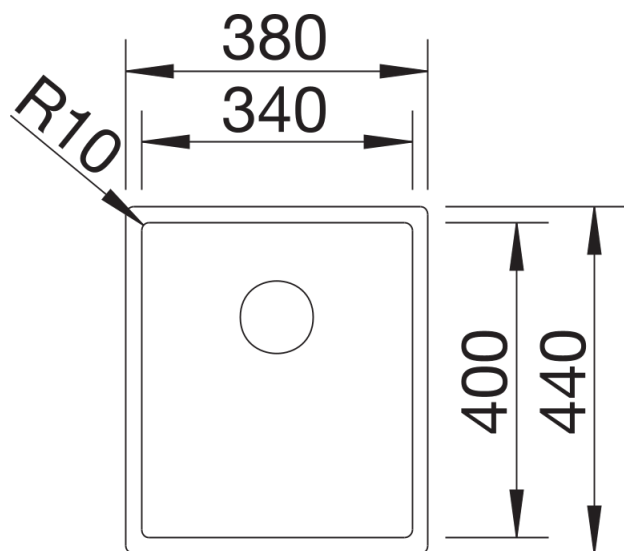
## Scope of supply

---

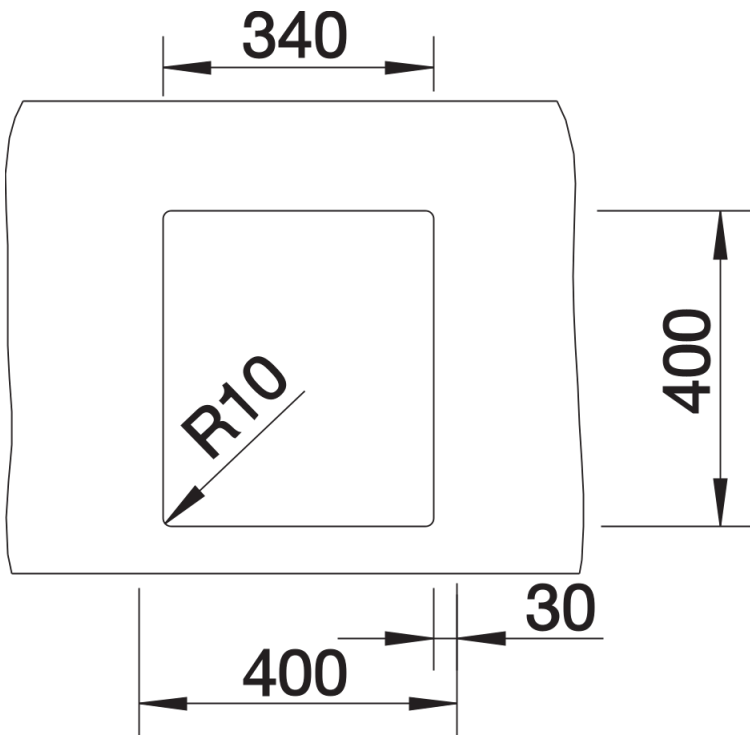
- waste kit with space saving pipe
- 3 ½" InFino basket strainer
- fixing kit

## Details

---



Top view



Cut-out