

Product information sheet CLARON 400-IF Durinox

Item no. 523389

Benefits



- Pure, elegant design with concise corner radii of 10 mm
- Matt velvet look with a homogeneous surface structure, and pleasantly warm to the touch
- Sophisticated surface: highly resistant to scratches
- High-quality features with the covered C-overflow and InFino drain system - elegantly integrated and easy-care
- Optimum utilisation of the bowl capacity thanks to extra-deep bowls and distinctively small radii

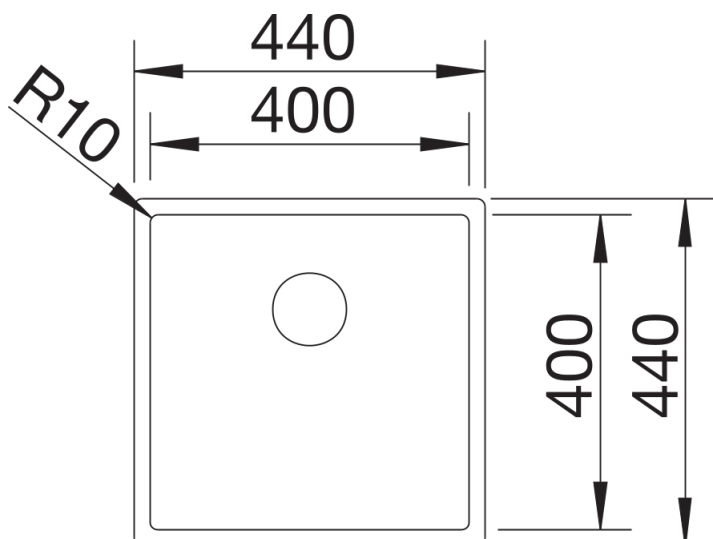
Planning information

- Installing a kitchen mixer tap, drain remote control or soap dispenser in laminate worktops requires a flexible sealing tape
Please order drain connections for combinations of two individual bowls separately

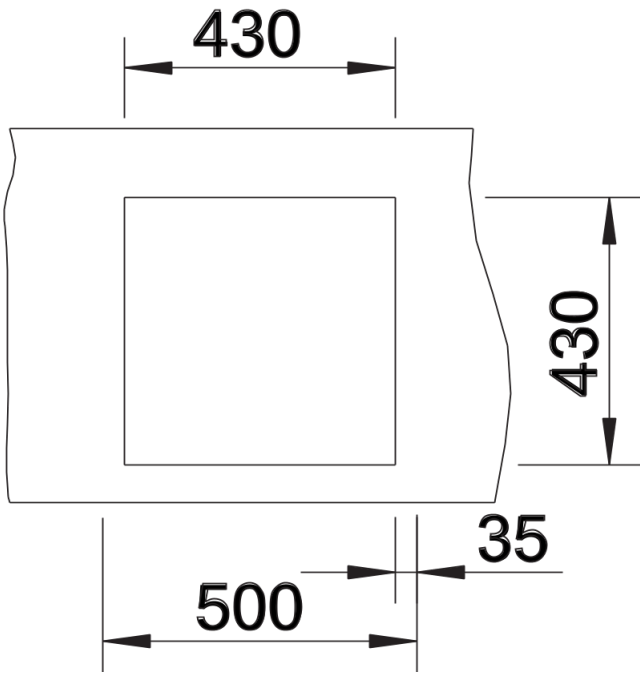
Scope of supply

- waste kit with space saving pipe
- 3 ½" InFino basket strainer
- fixing kit

Details



Top view



Cut-out