

Product information sheet FONTAS-S II Filter

Item no. 526158

Benefits



- Comfortable 3-in-1-mixer tap: filtered and unfiltered water out of a pull-out hose
- Separate water circuit: cold and warm water lever on the right, filtered water lever on the left
- Extra spout for filtered water – no mixture with mains water
- Space-saving and practical: with the 3-in-1-tap no additional drilling is required for filtered water supply
- Surface finishes to perfectly match sinks and bowls
- Needs to be installed with a water filter system

Colours



Available colours:

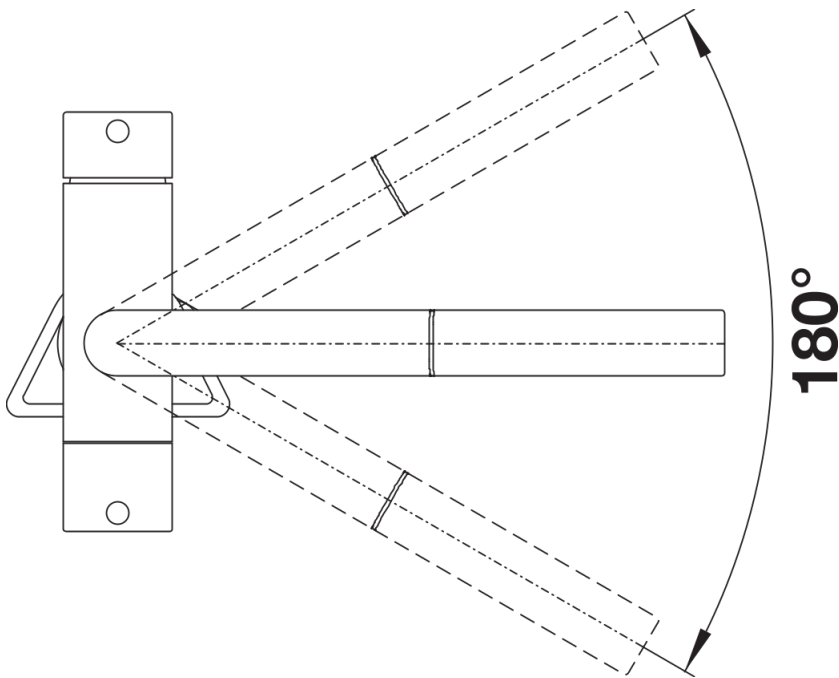
- black
- anthracite
- rock grey
- volcano grey
- white
- soft white
- tartufo
- coffee

SILGRANIT-Look black

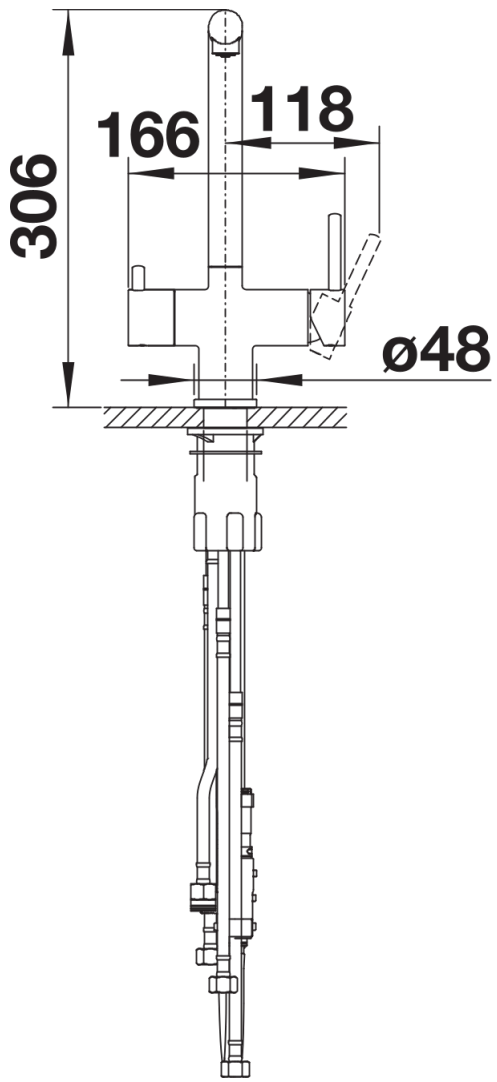
Scope of supply

- 180° swivel spout for greater reach
- Ø 35 mm tap hole required
- Ceramic valve and disk cartridge
- Clear stream aerator
- Spray made of metal
- Nylon-sheathed spray hose
- Hose weight for reliable retraction
- Flexible connector pipes, 500 mm long and 3/8" nut
- Stabilisation plate to increase the stability of the tap when fitted in stainless steel sinks
- With non-return valve and thus guaranteed against reflux in accordance with EN 1717
- Filter system not included

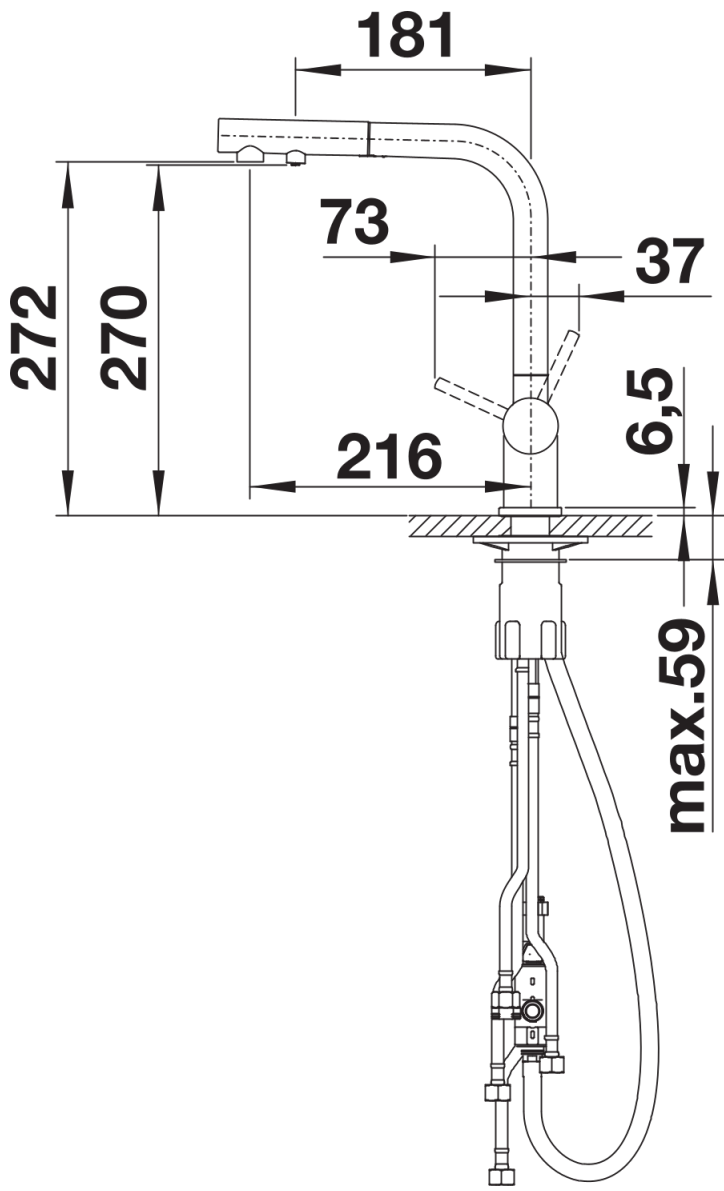
Details



Swivel range



Side view hand gear 2D



Side view