

## Product information sheet FONTAS-S II Filter

Item no. 526946

### Benefits

---



- Comfortable 3-in-1-mixer tap: filtered and unfiltered water out of a pull-out hose
- Separate water circuit: cold and warm water lever on the right, filtered water lever on the left
- Extra spout for filtered water – no mixture with mains water
- Space-saving and practical: with the 3-in-1-tap no additional drilling is required for filtered water supply
- Surface finishes to perfectly match sinks and bowls
- Needs to be installed with a water filter system

## Colours

---



Available colours:

black  
anthracite  
rock grey  
volcano grey  
white  
soft white  
tartufo

SILGRANIT-Look volcano grey

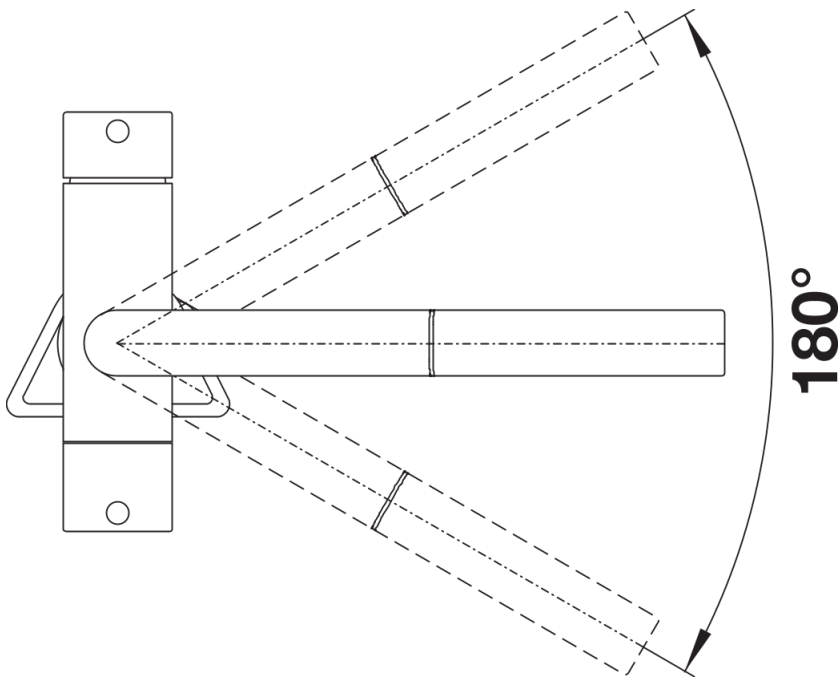
## Scope of supply

---

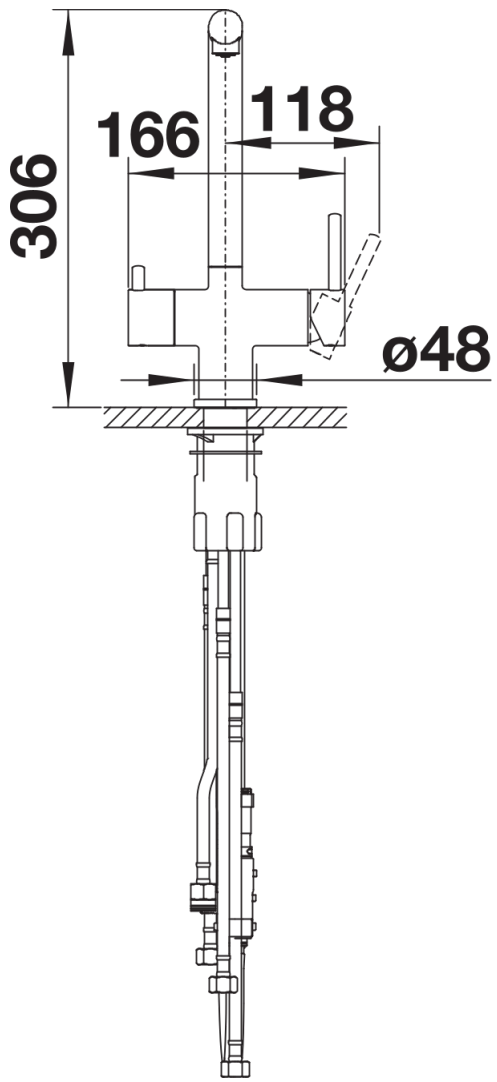
- 180° swivel spout for greater reach
- Ø 35 mm tap hole required
- Ceramic valve and disk cartridge
- Clear stream aerator
- Spray made of metal
- Nylon-sheathed spray hose
- Hose weight for reliable retraction
- Flexible connector pipes, 500 mm long and  $\frac{3}{8}$ " nut
- Stabilisation plate to increase the stability of the tap when fitted in stainless steel sinks
- With non-return valve and thus guaranteed against reflux in accordance with EN 1717
- Filter system not included

## Details

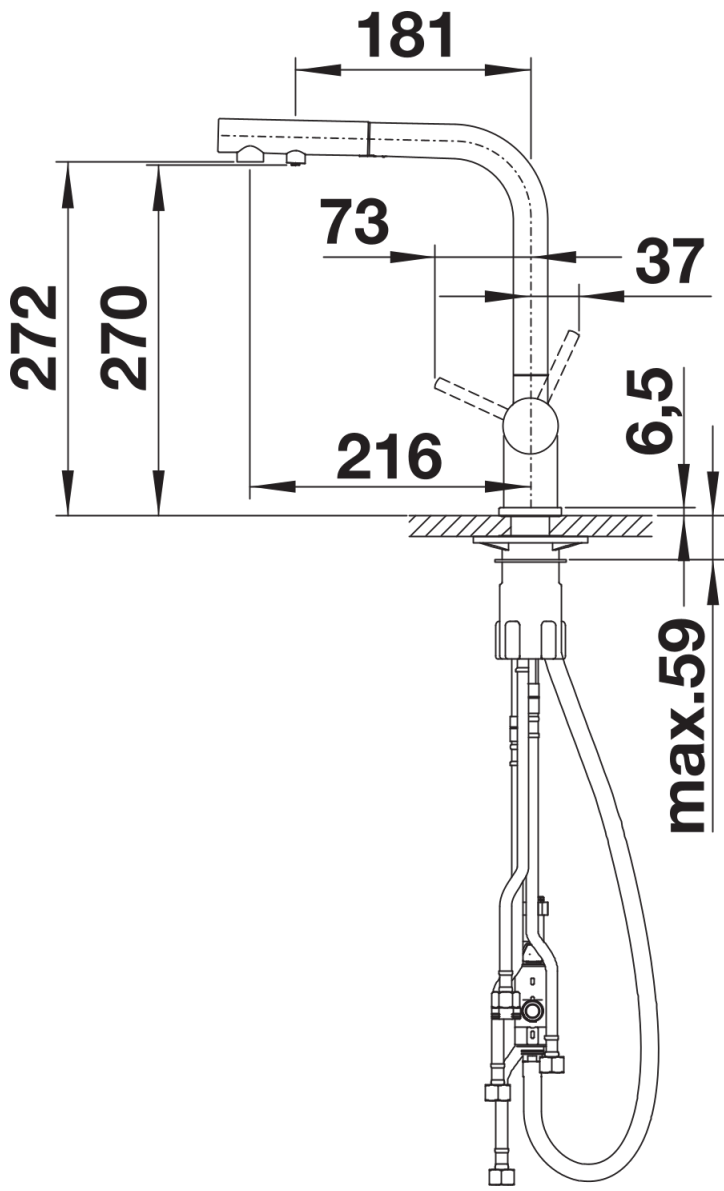
---



Swivel range



Side view hand gear 2D



Side view