

Product information sheet TRIMA Filter

Item no. 525231

Benefits



- Ergonomically shaped control elements with clear identification of functions
- Filtered and unfiltered water controlled separately
- Integrated spout for both water qualities with a special jet regulator
- High-end BWT multi-stage filter reduces limescale and improves taste
- Longer usage cycles thanks to higher filter capacity
- Flowmeter displays exact filter capacity

Colours



Available colours:
chrome

galvanic chrome

Scope of supply

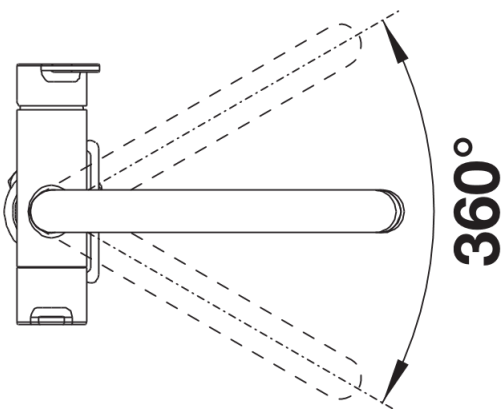
- 360° swivel spout for greater reach
- Ø 35 mm tap hole required
- Valve and cartridge with ceramic seals
- Flexible connection pipes with a length of 450 mm and 3/8" swivel nut for particularly easy and secure installation
- Patented jet regulator for markedly reduced scaling
- Stabilisation plate to increase the stability of the tap when fitting in stainless steel sinks
- LGA approved
- High-end water filtering system by BWT, incl. filter head and multi-stage filter cartridge
- Flowmeter to display remaining filter capacity

525273 - filter cartridge

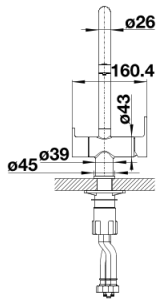
525237 - Flowmeter

525274 - filter head

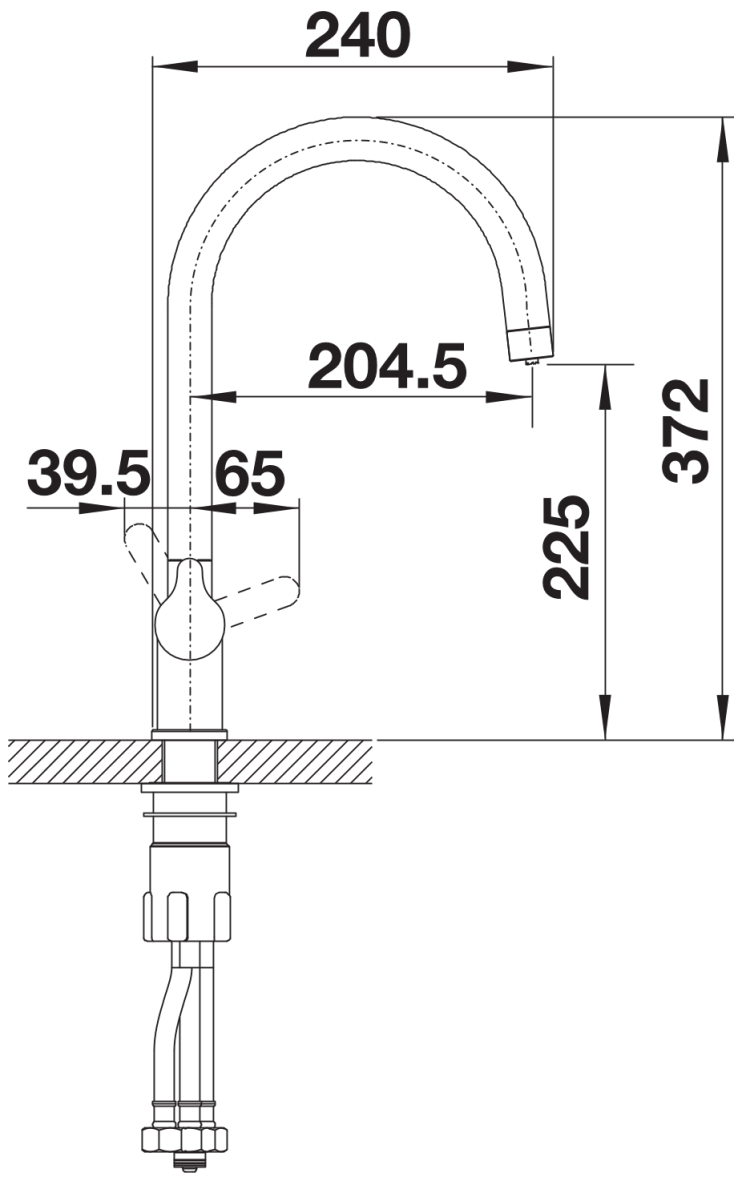
Details



Swivel range



SEITENANSICHT_HEBEL_2D



Side view