

Product information sheet TAMPERA Hot

Item no. 525224

Benefits



- 3-in-1 mixer tap: cold, warm water and boiling water out of one tap
- Separate levers incl. safety button for boiling water
- 4-litre hot water boiler made of highly resistant and tasteless titanium - ideal in combination with SELECT Compact waste system
- Compact boiling water jet
- High-end BWT multi-stage filter reduces lime and improves taste
- Flowmeter displays exact filter capacity

Colours



Available colours:

chrome

galvanic chrome

Scope of supply

- 180° swivel spout for greater reach
- Ø 35 mm tap hole required
- With ceramic disk cartridge
- Flexible connection pipes with a length of 450 mm and 3/8" nut for particularly easy and secure installation
- Patented jet regulator for markedly reduced scaling
- Stabilising plate to increase the stability of the tap when fitted in stainless steel sinks
- Insulated spout
- Top-quality high-pressure titanium boiler (extremely corrosion-resistant, fully tasteless)
- Capacity: 4 Litres
- Temperature: 100° C
- Energy efficient (approx. 16W consumption in standby mode)
- Power outlet: 230 VAC, 50/60 Hz.
- Nominal power: 2100 W
- Safety group incl. drain system pipe connection
- High-end water filtering system by BWT, incl. filter head and multi-stage filter cartridge
- Flowmeter to display remaining filter capacity

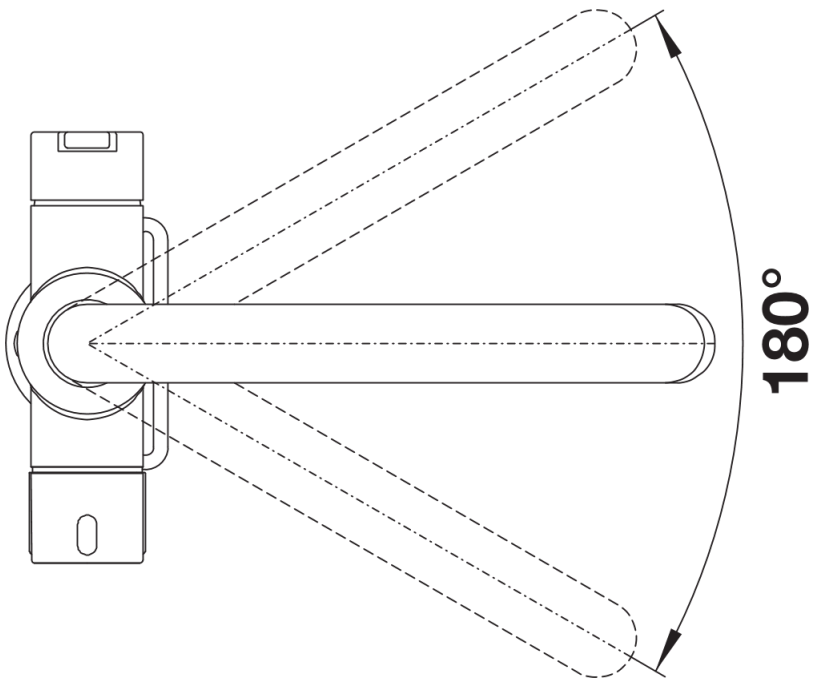
525274 - filter head

525273 - filter cartridge

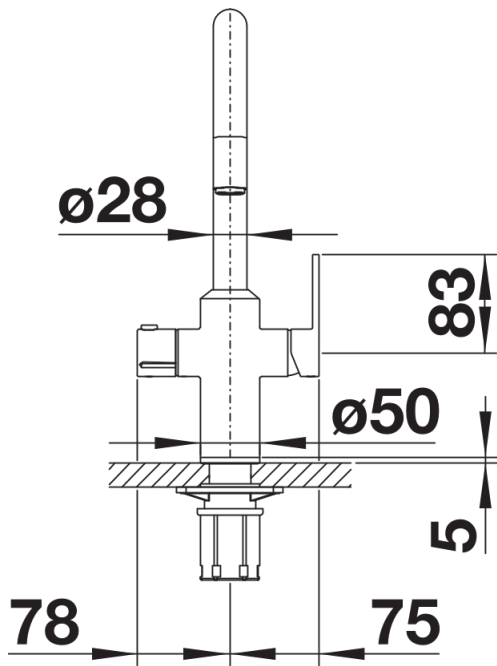
525237 - Flowmeter

525234 - Safety group EU -10 Bar

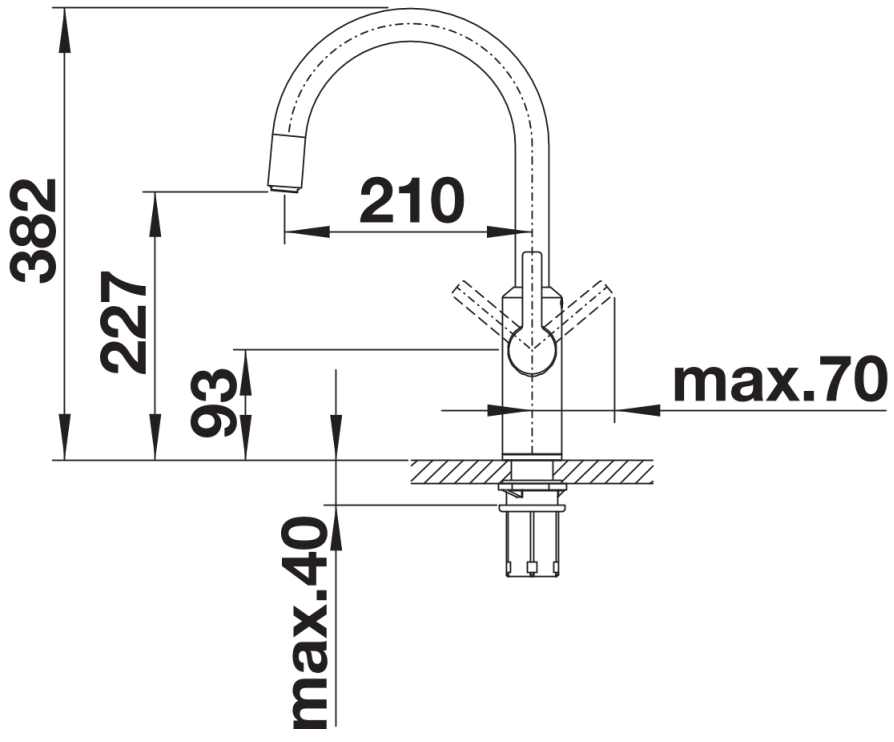
Details



Swivel range



SEITENANSICHT_HEBEL_2D



Side view