

## Product information sheet ETAGON 500-U

Item no. 525155

### Benefits

---



- Generous staggered bowl with added functionality
- Integrated step creates an additional functional level
- Clever system concept with versatile ETAGON rails
- High-quality features with the covered C-overflow and InFino drain system – elegantly integrated and easy-care

## Colours

---



Available colours:

- black
- basalt
- crystal white glossy
- magnolia glossy

Ceramic PuraPlus black

## Scope of supply

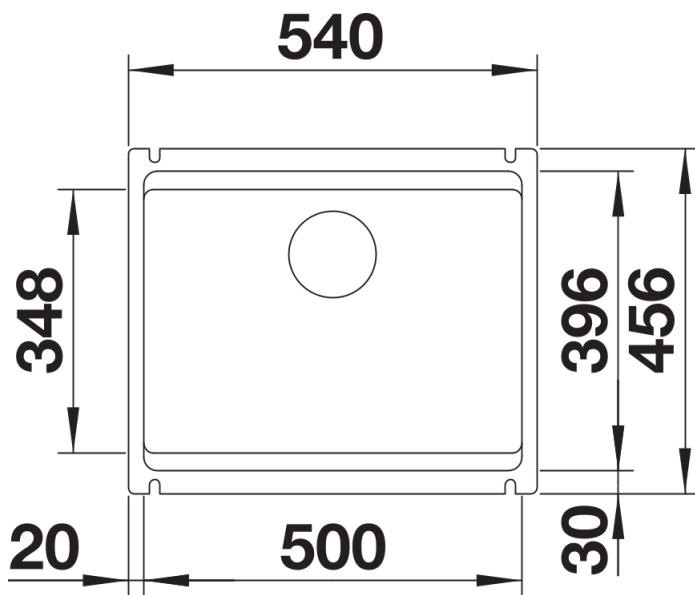
---

- 2 x ETAGON rails in stainless steel
- waste kit with space-saving pipe
- 3 ½" InFino basket strainer
- fixing kit

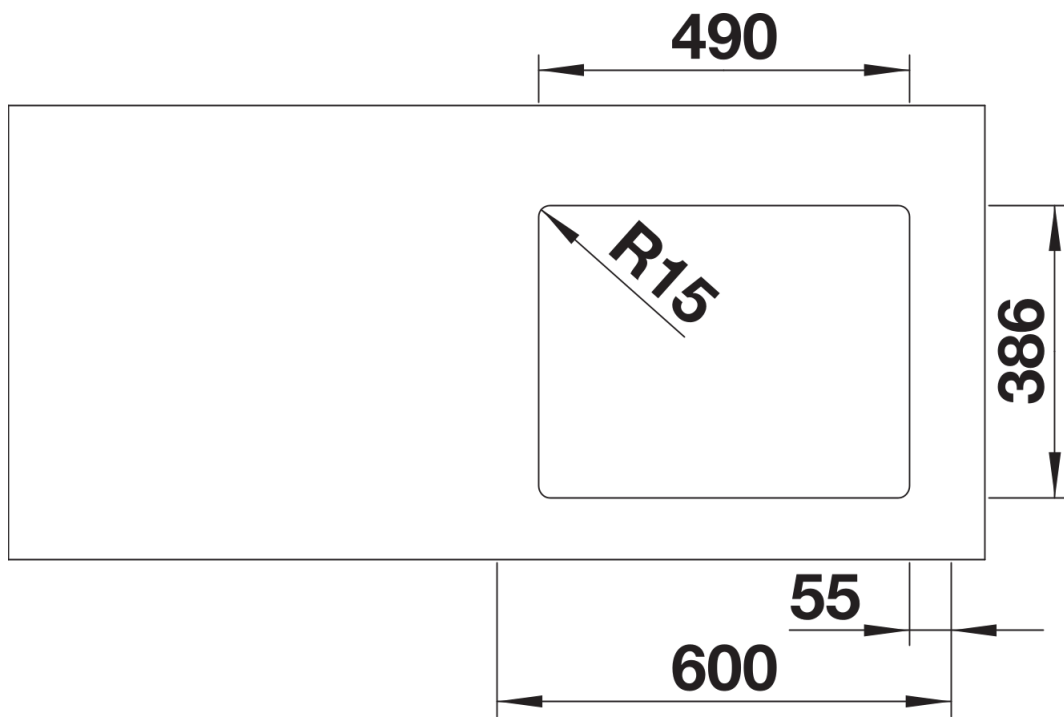
237362 - 2 x ETAGON rails ceramic

## Details

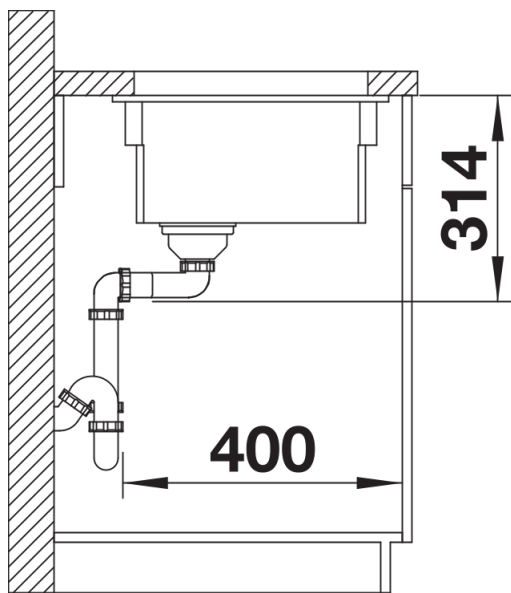
---



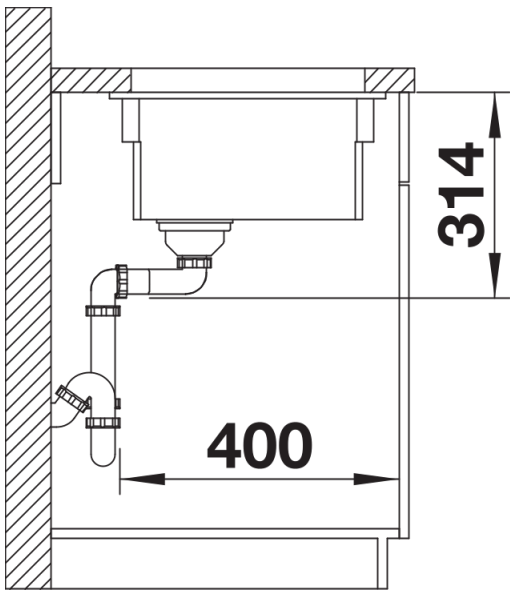
Top view



Cut-out



Front view



Side view