

## Product information sheet ANDANO 400/400-IF/A

Item no. 525249

### Benefits

---



- Unique composition of optical and functional elements
- The harmonious interplay between the radii and surface design creates a modern appeal
- Elegantly designed wet area with an integrated tap ledge in just one worktop cutout
- High quality features consisting of a covered Coverflow and InFino drain system with PushControl the slim and intuitive remote control
- Large bowl capacity and fully utilisable base
- Optional premium accessories are available

## Planning information

---

- No additional drill holes possible If using a detergent dispenser the remote control popup must be replaced by the detergent dispenser and the InFino drain system with remote control popup by the InFino manual drain system without remote control popup
- Please contact us we'll be pleased to help you further
- You will receive the item number of the InFino manual drain system without remote control popup on request

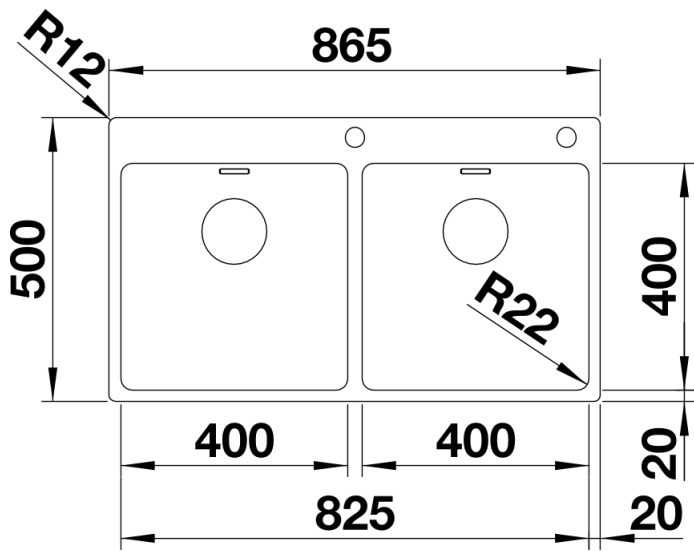
## Scope of supply

---

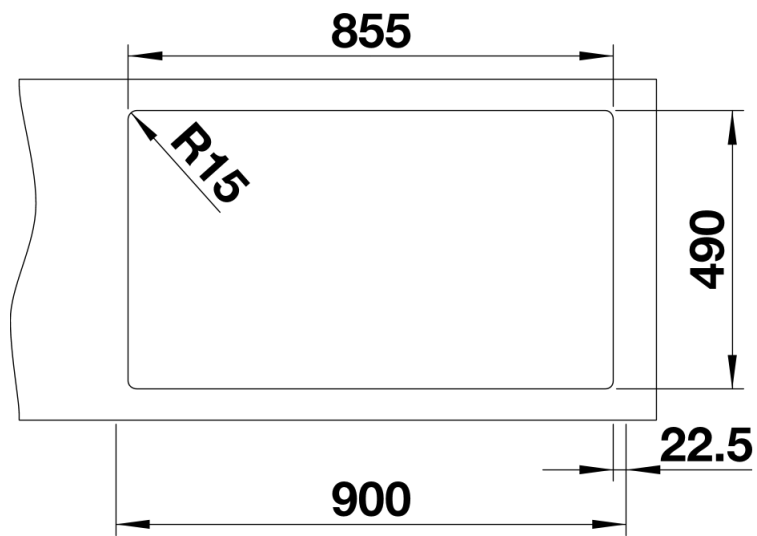
- waste kit with spacesaving pipe
- 2 x 3 12 InFino basket strainer with drain remote control PushControl for 1 bowl
- fixing kit

## Details

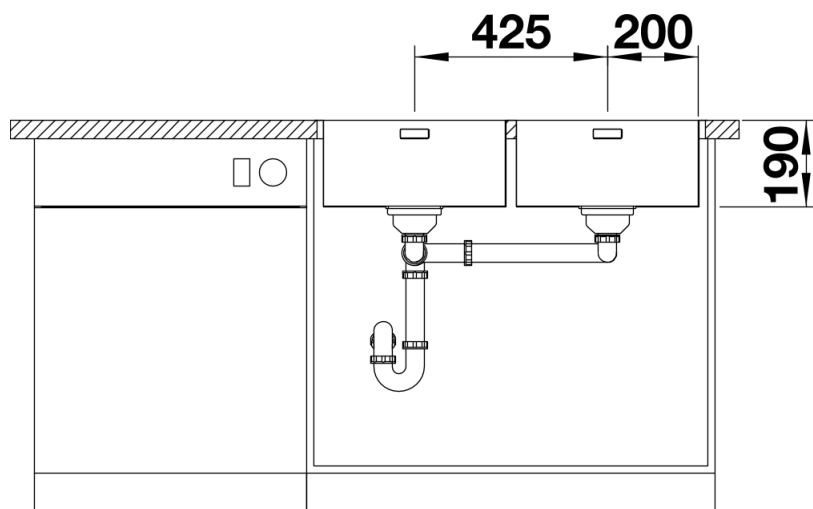
---



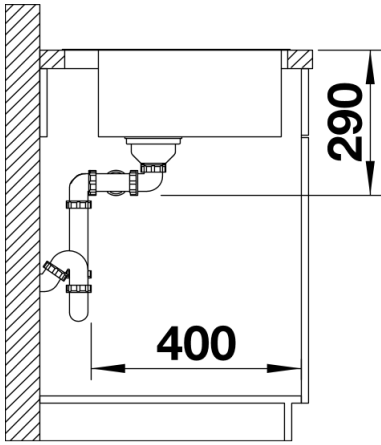
Top view



Cut-out



Front view



Side view