

Product information sheet ADON XL 6 S

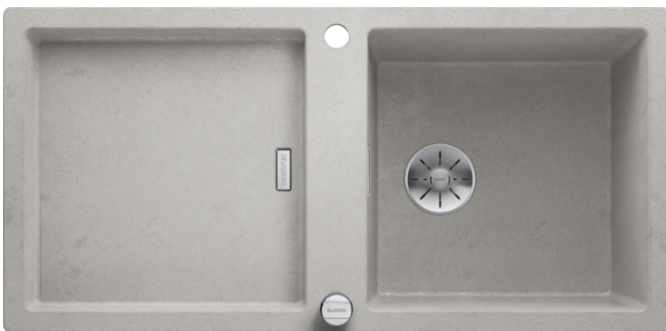
Item no. 525298

Benefits



- Eye-catching, cubic design in concrete-style -
- Authentic concrete look with individual colour gradient
- Raised all-round frame
- Symmetrical construction with tap ledge positioned in the middle
- More room behind the sink thanks to the reduced installation dimension
- High-quality features with drain remote control and InFino drain system – elegantly integrated and extremely easy-care
- Can be installed reversibly

Colours



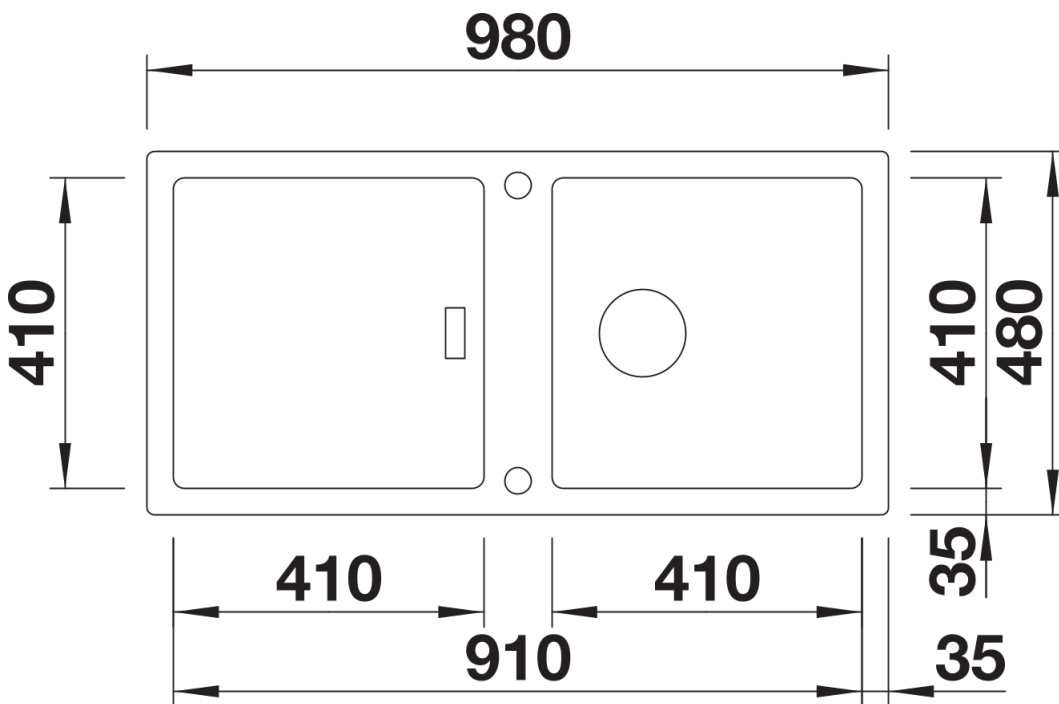
Available colours:
concrete-style

SILGRANIT concrete-style

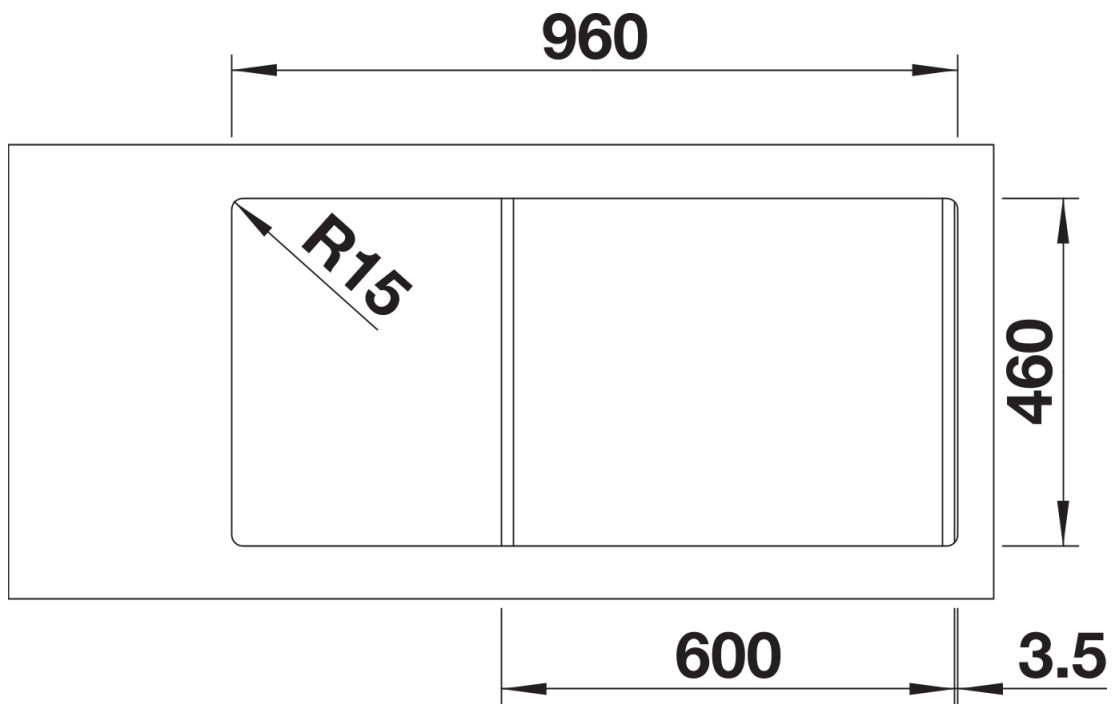
Scope of supply

- waste kit with space-saving pipe
- 3 ½" InFino basket strainer with drain remote control (rotary switch)

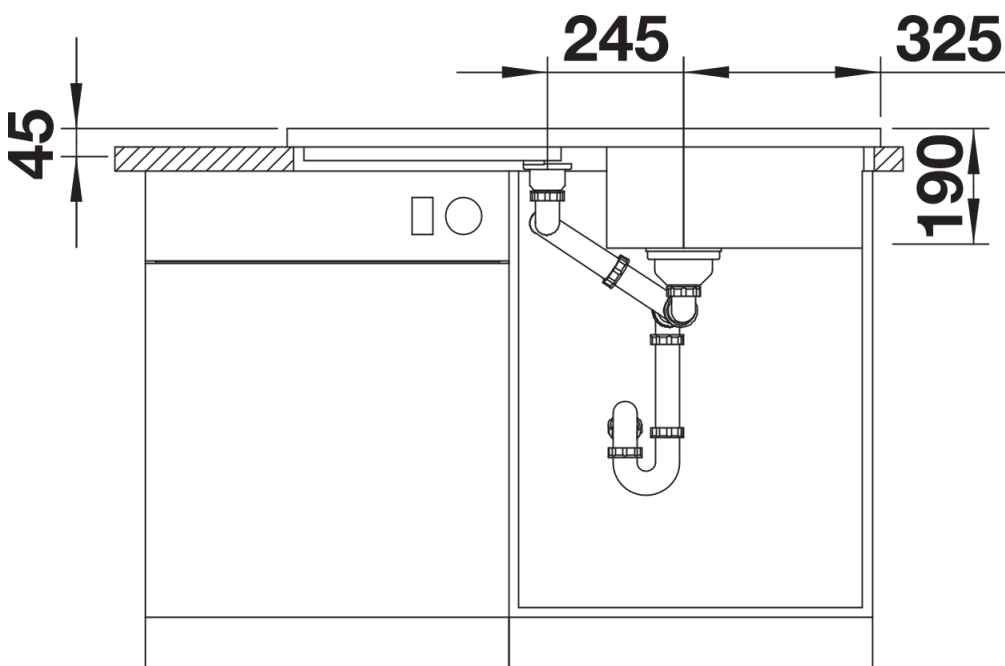
Details



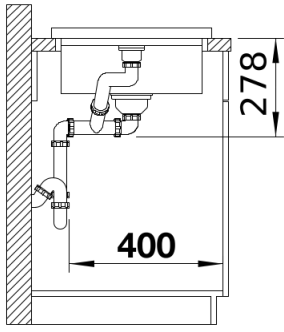
Top view



Cut-out



Front view



Side view