

Product information sheet ETAGON 8

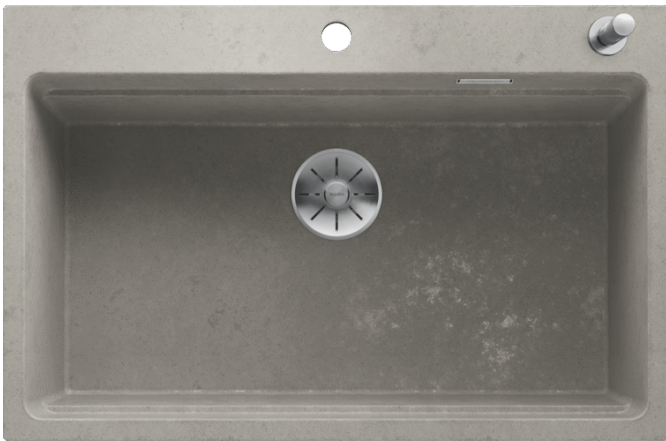
Item no. 525301

Benefits



- Generous staggered bowl with the functionality of a sink centre
- Integrated step creates an additional functions level
- Innovative system concept with versatile ETAGON rails
- Authentic concrete look with individual colour gradient
- High-quality features with the covered C-overflow™ and InFino™ drain system – elegantly integrated and extremely easy-care
- Installation from above, with elegant, low-profile rim and continuous tap ledge

Colours



Available colours:
Concrete-Style

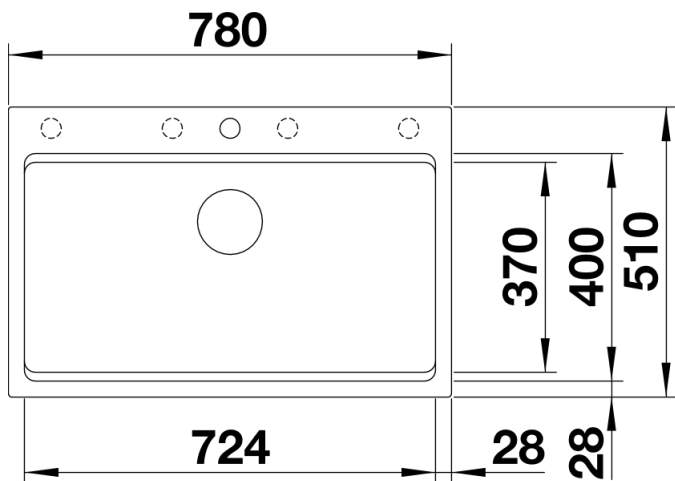
SILGRANIT™ PuraDur™ Concrete-Style

Scope of supply

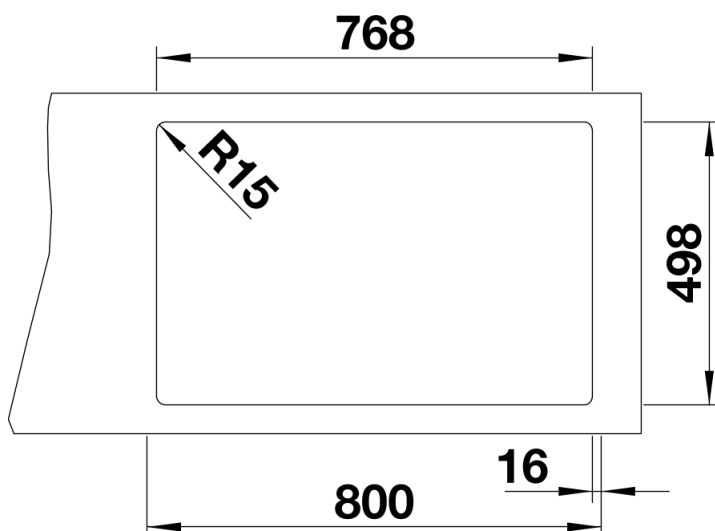
- 2 x ETAGON rails in stainless steel, waste kit with space-saving pipe, 3 1/2" InFino™ basket strainer with drain remote control (pop-up)

234164 - Two ETAGON rails

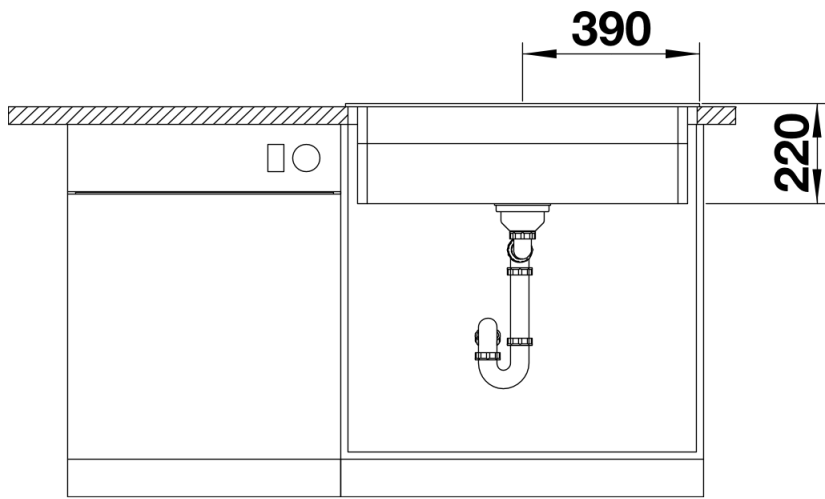
Details



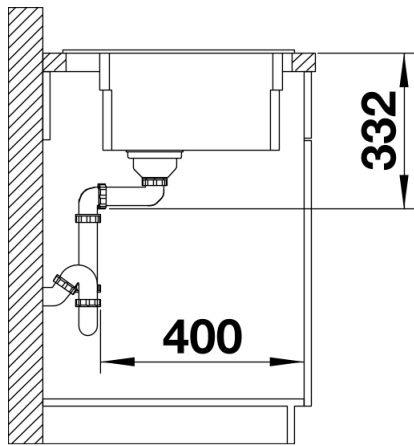
Top view



Cut-out



Front view



Side view