

## Product information sheet SOLIS 400-U

Item no. 526117

### Benefits

---



- A harmonious interplay between functional and visual elements
- High-quality features with covered C-overflow and InFino drain system – elegantly integrated and easy-care
- Convenient bowl volume and base surface designed for practical use
- Functional accessories optionally available

## Planning information

---

- Note: Please order drain connections for combinations of two individual bowls separately.

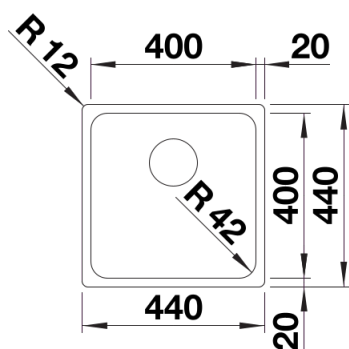
## Scope of supply

---

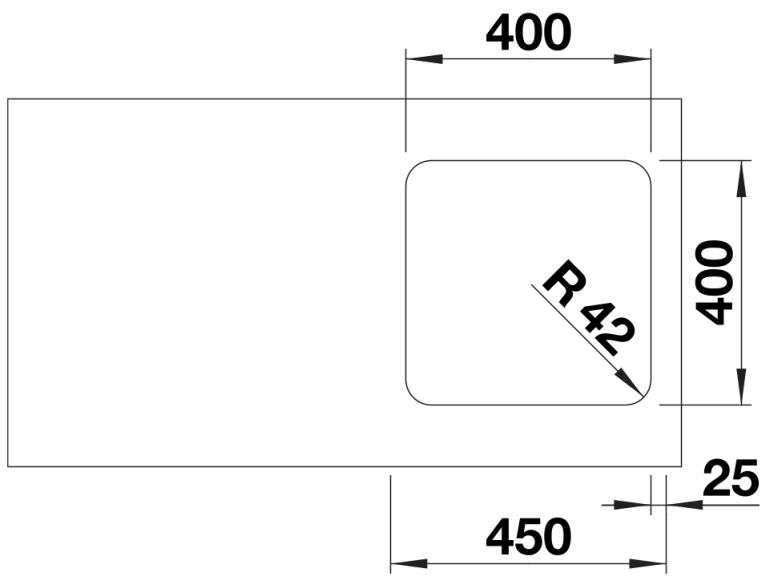
- waste kit with space-saving pipe
- 3 ½" InFino basket strainer
- fixing kit

## Details

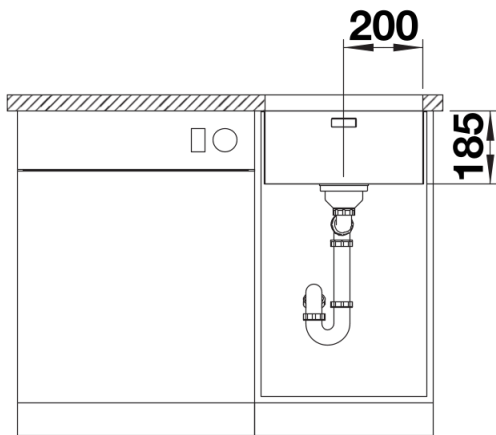
---



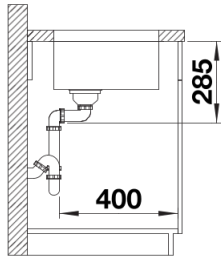
Top view



Cut-out



Front view



Side view