

Product information sheet SOLIS 400-IF/A

Item no. 526119

Benefits



- A harmonious interplay between functional and visual elements
- High quality features consisting of a covered C-overflow and InFino drain system with PushControl- the slim and intuitive remote control
- Convenient bowl volume and base surface designed for practical use
- Elegant IF flat-rim for flushmount and for installation from above
- Functional accessories optionally available

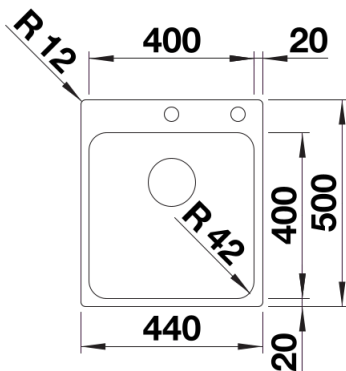
Planning information

- Note: Additional drill hole possible. The subsequent drill hole should be carried out by a specialist company.

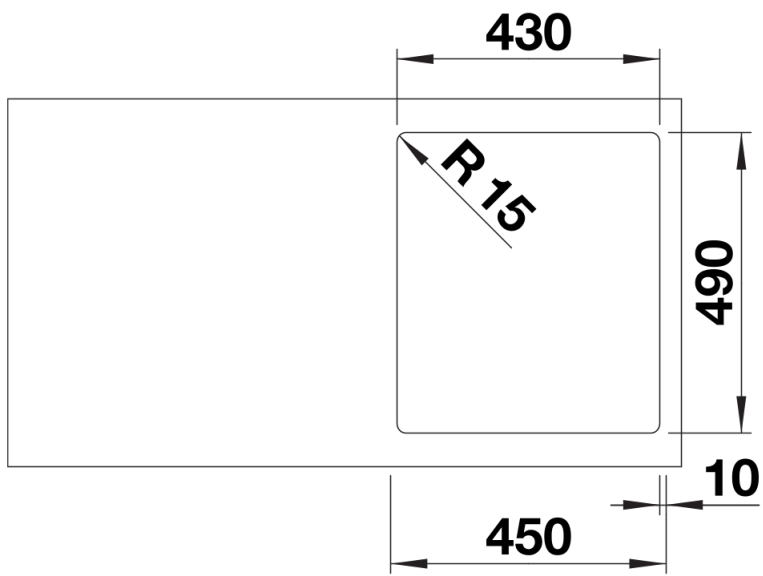
Scope of supply

- waste kit with space-saving pipe
- 3 ½" InFino basket strainer with drain remote control (PushControl)
- fixing kit

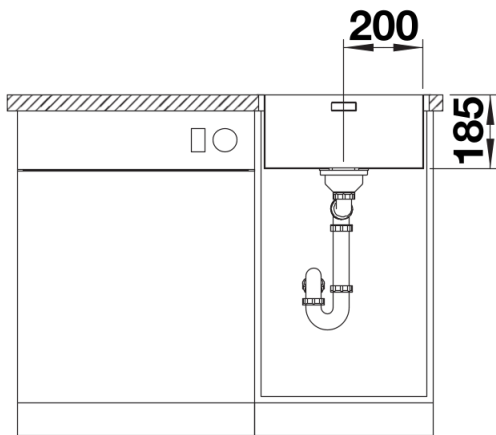
Details



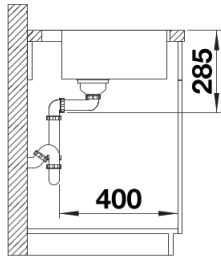
Top view



Cut-out



Front view



Side view