

## Product information sheet TIPO 45 S

Item no. 526335

### Benefits

---



- Functional design
- With 3 ½" stainless steel basket strainer
- Can be installed reversibly

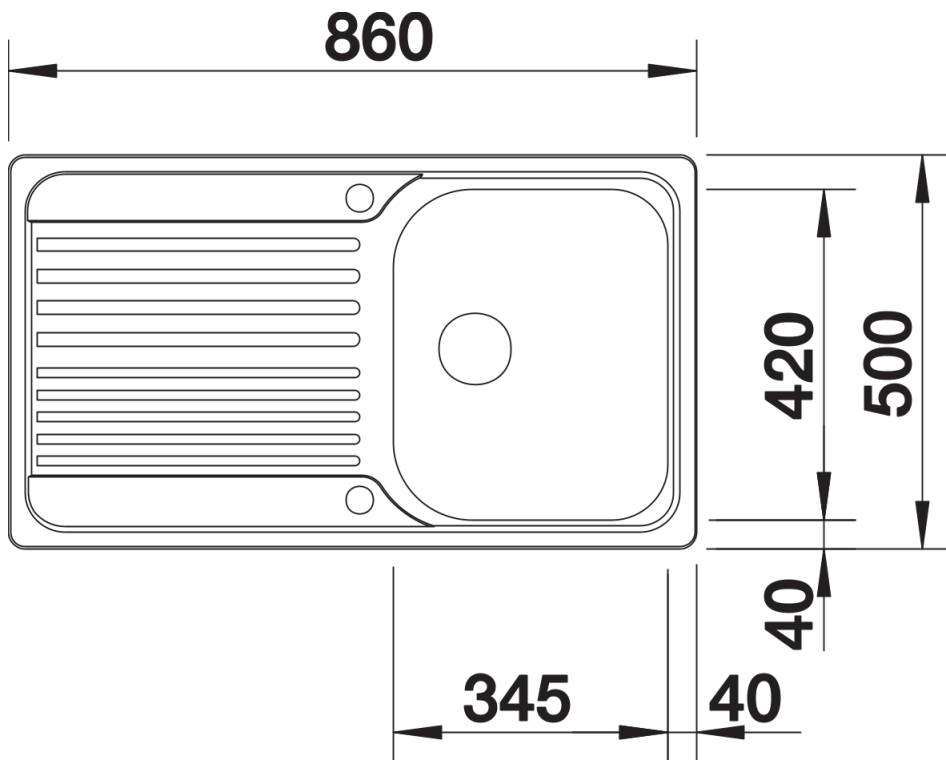
## Scope of supply

---

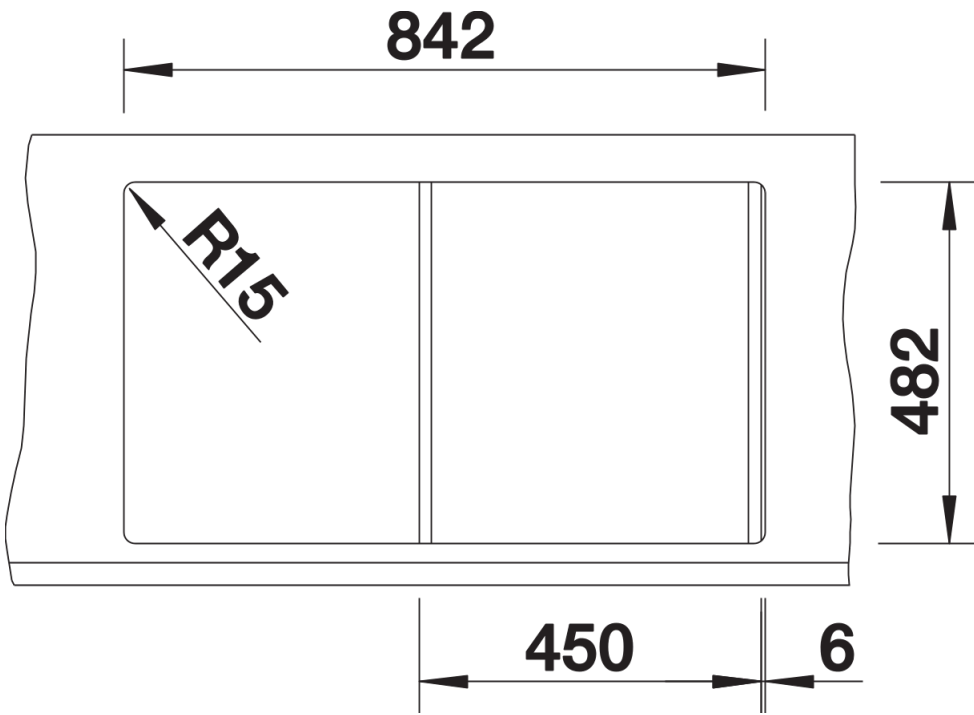
- waste kit with space-saving pipe
- 3 1/2" basket strainer with drain remote control (rotary switch)
- seal

## Details

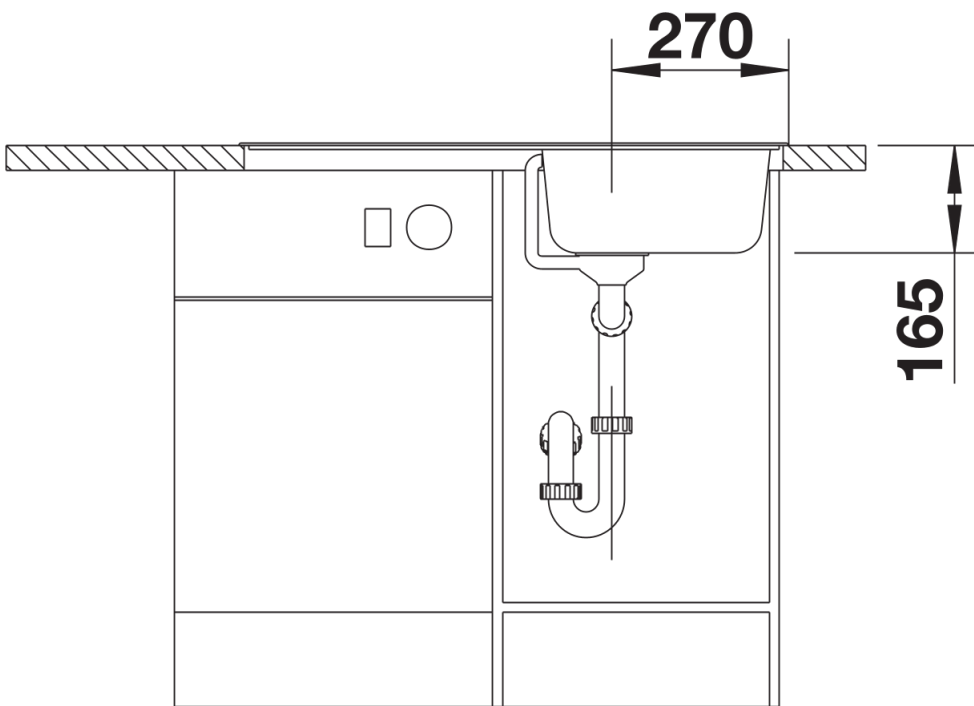
---



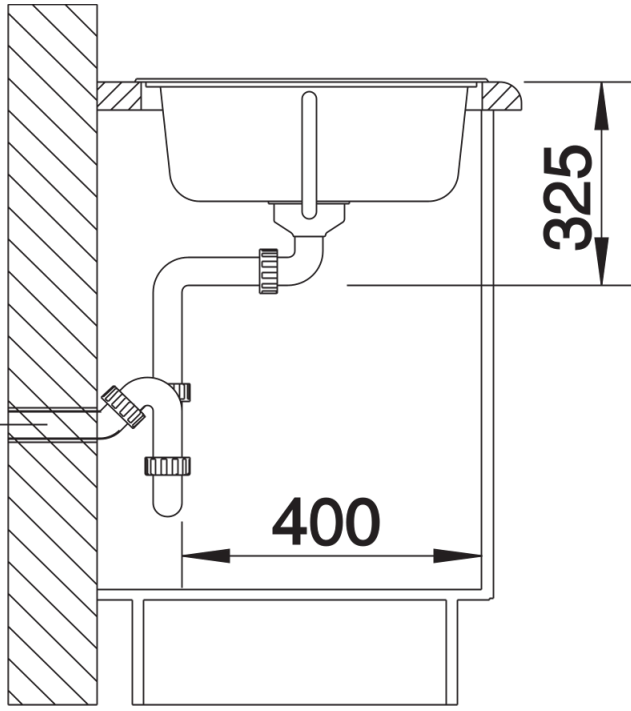
Top view



Cut-out



Front view



Side view