

## Product information sheet SELECT II Compact 60/2

Item no. 526207

### Benefits

---



- Ideal for installation in front of wall-mounted low-pressure boilers, hot-water systems and filter systems
- Optimal use of the cabinet space thanks to the reduced installation depth of 320 mm
- Modern design with high-quality aluminium
- All parts are easy to clean thanks to the generous and smooth surfaces
- Simple installation without measuring, marking or pre-drilling

## Planning information

---

- Installation height 361 mm, installation depth 320 mm, necessary inside cabinet dimensions for pull-out rails 450 mm, cabinet side wall thickness 16 mm or 19 mm.
- For cabinets with 18 mm side wall thickness distance plates 243 513 must be ordered separately.
- This requires front doors without hinges or drill holes. Please note the handle position.
- Also suitable for installation in base cabinets with frame and panel doors with frames from 40 mm.
- When planning, please note the installation height of the waste management system, the installation depth of the sink and the resulting minimum dimensions of the base cabinet.
- Minimum installation depth for BLANCO TAMPERA Hot: 550 mm.
- Minimum recommended plinth height for MOVEX installation: 100 mm.

## Scope of supply

---

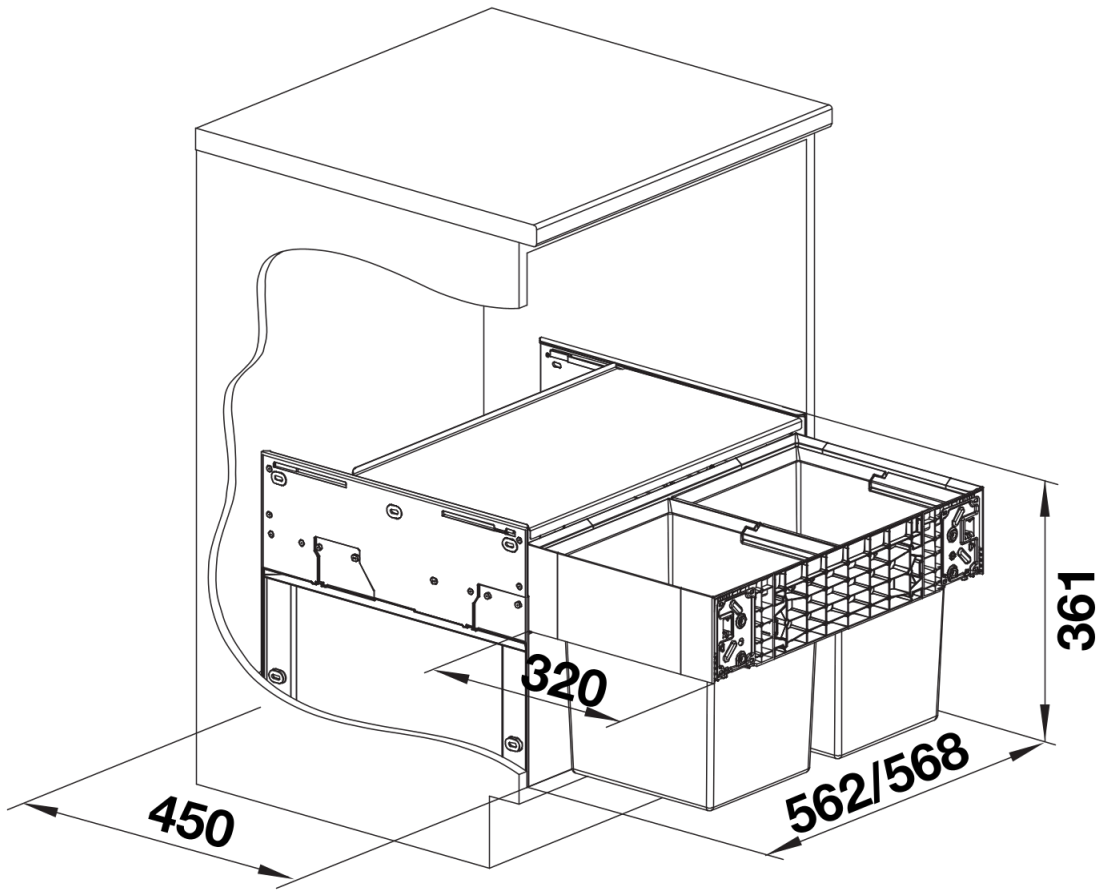
- pull-out system for front attachment
- system cover
- 2 x 17 l bin

## Details

---



Top view



PRODUKT\_3D