

Product information sheet SELECT II 60/2 Orga

Item no. 526208

Benefits



- Complete use of space in the sink cabinet thanks to dimensionally matched solutions, in harmony with the sink and mixer tap
- Wide range of models for all the most common cabinet dimensions
- Versatile universal boxes in the organiser drawer keep things even more neat and tidy
- Diverse and varied waste separation options through flexible bin combinations
- Simple installation without measuring, marking or pre-drilling
- Optional accessories enhance the system to create a custom solution
- Modern design with high-quality aluminium
- All parts are easy to clean thanks to the generous and smooth surfaces

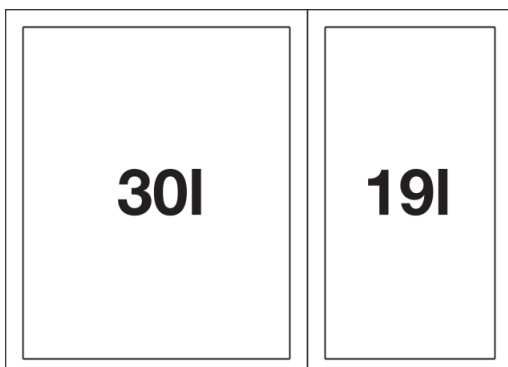
Planning information

- Installation height 458 mm (universal compartments can be moved to provide additional installation space for drain fittings), installation depth 400 mm, required internal cabinet dimensions for pull-out rails 450 mm, cabinet side wall thickness 16 mm or 19 mm.
- For cabinets with 18 mm side wall thickness distance plates 00243513 must be ordered separately.
- This requires front doors without hinges or drill holes. Please note the handle position.
- Also suitable for installation in base cabinets with frame and panel doors with frames from 40 mm.
- When planning, please note the installation height of the waste management system, the installation depth of the sink and the resulting minimum dimensions of the base cabinet.
- Minimum recommended plinth height for MOVEX installation: 100 mm.

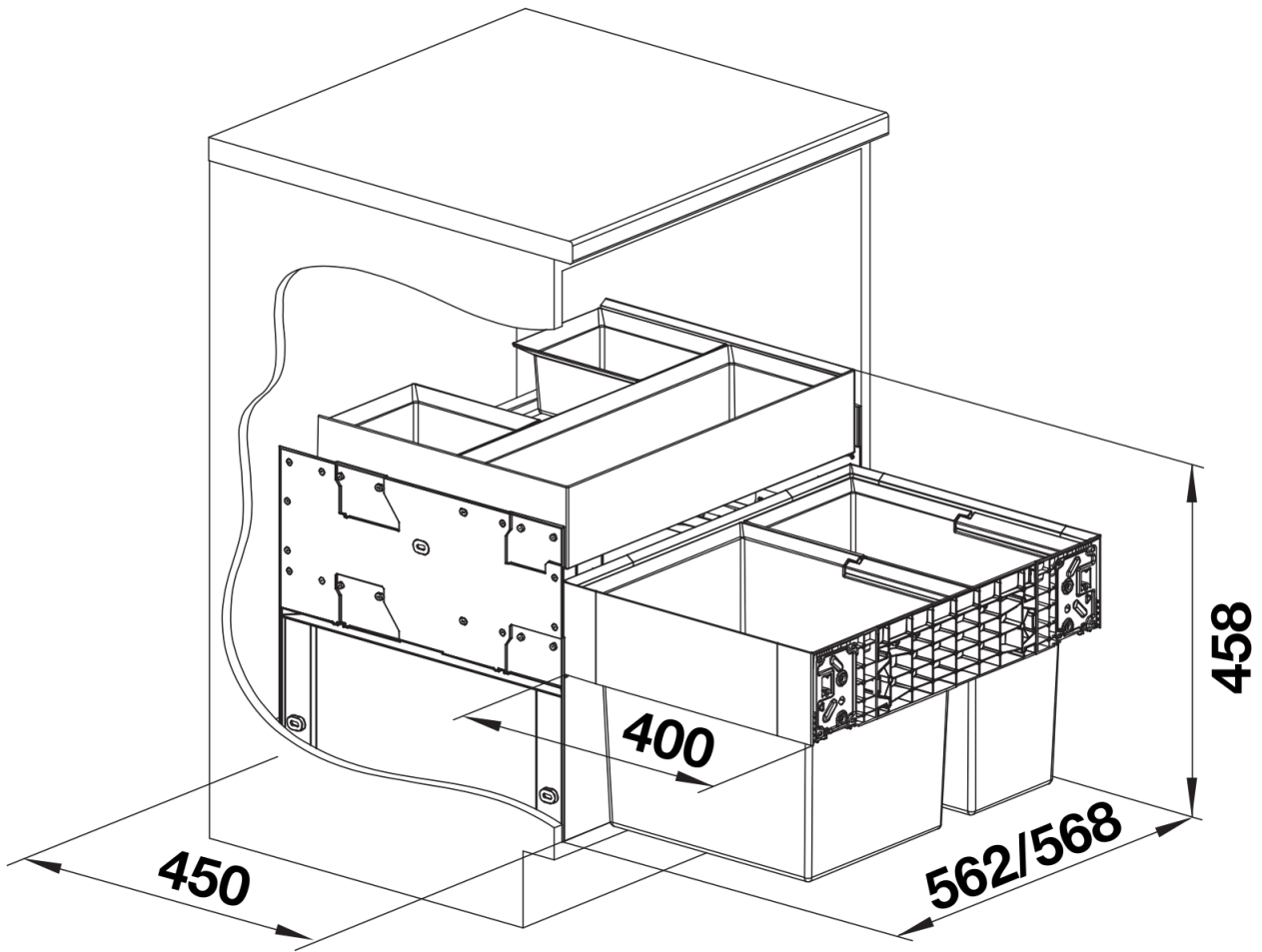
Scope of supply

- pull-out system for front attachment
- organisation drawer
- 1 x 30 l and 1 x 19 l bin

Details



Top view



PRODUKT_3D