

## Product information sheet SUPRA 400-IF/A R12

Item no. 526352

### Benefits

---



- Wide programme
- With integrated tap ledge in just one worktop cut-out
- Elegant IF flat-rim for flushmount and for installation from above
- Practical accessory optional available

## Planning information

---

- Additional drill hole possible. The subsequent drill hole should be carried out by a specialist company.

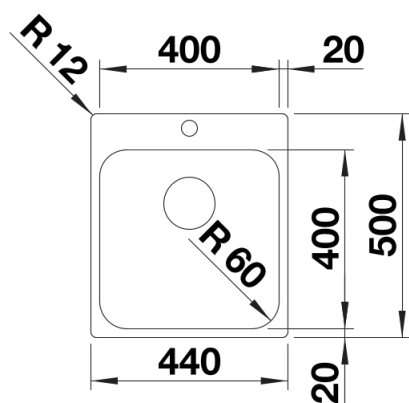
## Scope of supply

---

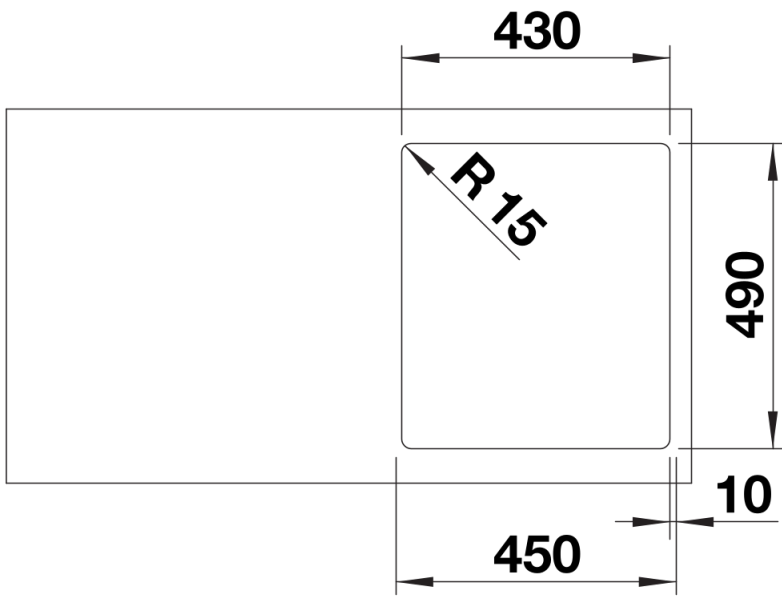
- waste kit with space-saving pipe
- 3 ½" basket strainer
- fixing kit

## Details

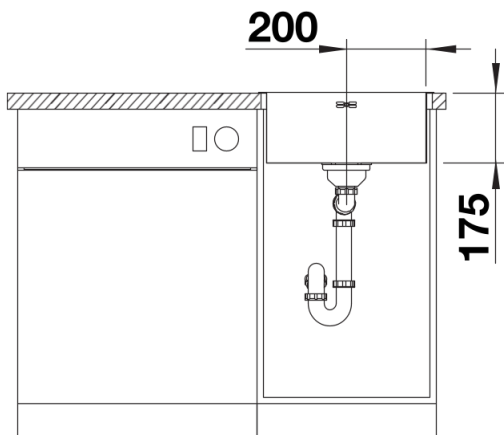
---



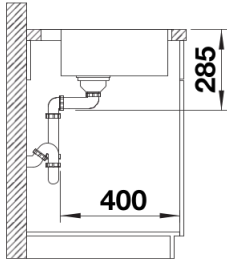
Top view



Cut-out



Front view



Side view