

## Product information sheet drink.hot EVOL-S Pro

Item no. 526310

### Benefits

---



- 4-in-1 semi-pro mixer tap: cold, warm and filtered cold and filtered boiling water
- Click & Touch: Exact amount of filtered water conveniently set via accurate scaling wheel and intuitive touch control for water consumption on demand
- Separate insulated outlet for filtered cold and filtered hot water
- Safety concept for boiling hot water
- Dual spray with precise magnetic holder

## Scope of supply

---

### System:

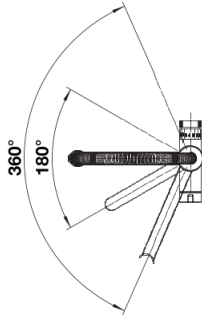
- Top-quality high-pressure titanium boiler
- Capacity: 4 Litres
- Temperature: 100° C
- High-end water filtering system by BWT, incl. Filter head and multi-stage filter cartridge
- Safety group incl. Drain system pipe connection
- Control box with integrated display to show remaining filter capacity
- Power supply: 220-240 V AC/50 Hz
- Nominal power: 2200W
- 1 Boiler, 1 Drink Filter Soft L, 1 Filter head, 1 control box and 1 safety group included in scope of supply

### Tap:

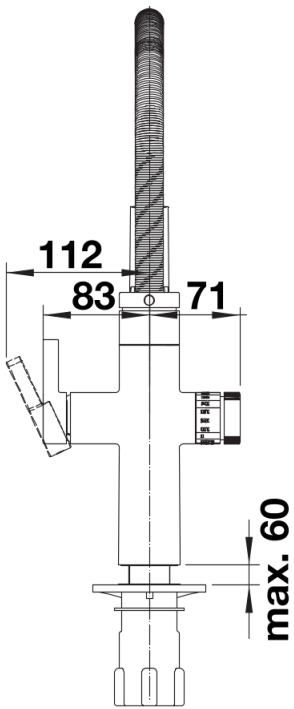
- 4-in-1 semi-professional tap for ambient cold and warm, filtered ambient cold or boiling water
- Click and Touch: Selection of predefined conditioned water type and volume in ml thanks to the scaling wheel and intuitive touch control
- Safety concept for secure handling of boiling water
- Separate 180° swivel spout for refined water
- 360° swivel spout for mixed water
- With ceramic disk cartridge
- Patented jet regulator for markedly reduced scaling
- two-jet shower for mixed water with magnetic holder
- Flexible connector pipes, 700 mm long and 3/8" nut
- Stabilisation plate to increase the stability of the tap when fitted in stainless steel sinks
- With non-return valve and thus guaranteed against reflux in accordance with EN 1717

## Details

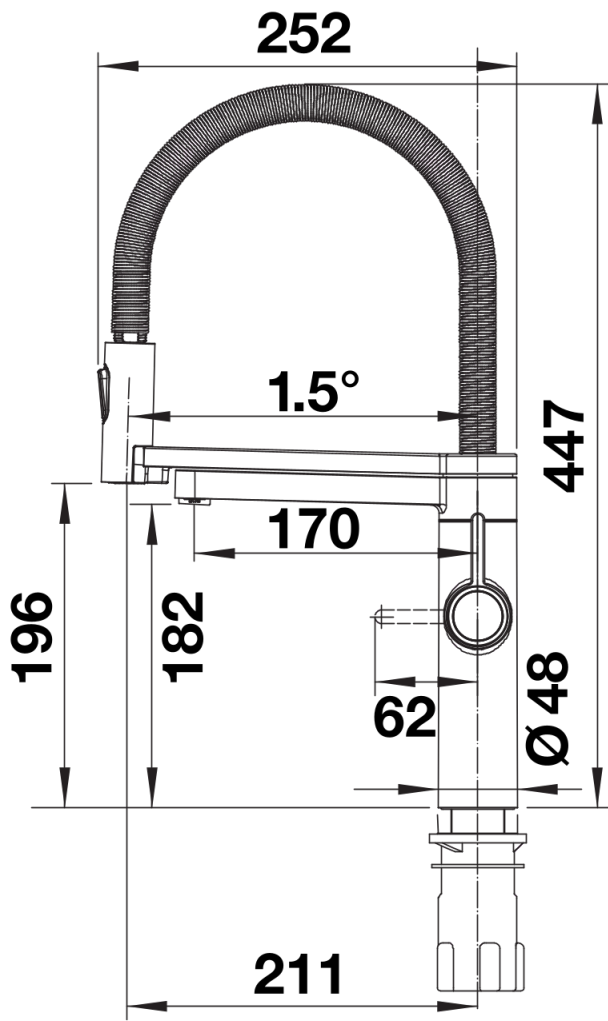
---



Swivel range



Side view hand gear 2D



Side view