

## Product information sheet ETAGON 500-F

Item no. 526346

### Benefits

---



- Generous staggered bowl with added functionality
- Integrated step creates an additional functional level
- Clever system concept with versatile ETAGON rails
- High-quality features with the covered C-overflow and InFino drain system – elegantly integrated and easy-care
- For flushmount installation, ideal in combination with high-quality worktops

## Colours

---



Available colours:

- black
- anthracite
- rock grey
- volcano grey
- white
- soft white
- tartufo
- coffee

SILGRANIT white

## Planning information

---

- For worktop thicknesses of 15 mm and over, a space for the overflow must be cut out on the underside.  
Model-related detailed dimensions and drawings can be found with the cut-out information online at [www.blanco.com](http://www.blanco.com).

## Scope of supply

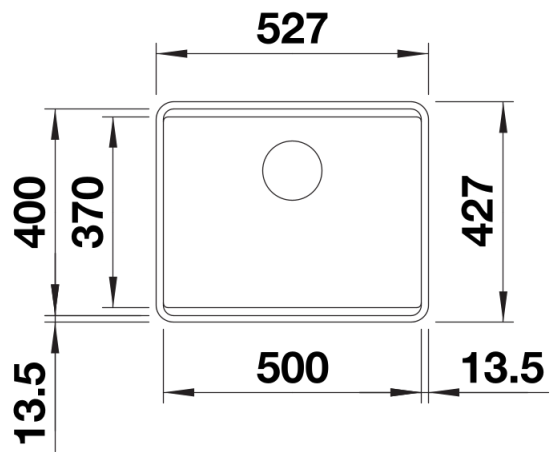
---

- 2 x ETAGON rails in stainless steel
- waste kit with space-saving pipe
- 3 ½" InFino basket strainer

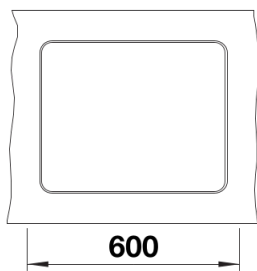
234164 - 2 x ETAGON rails

## Details

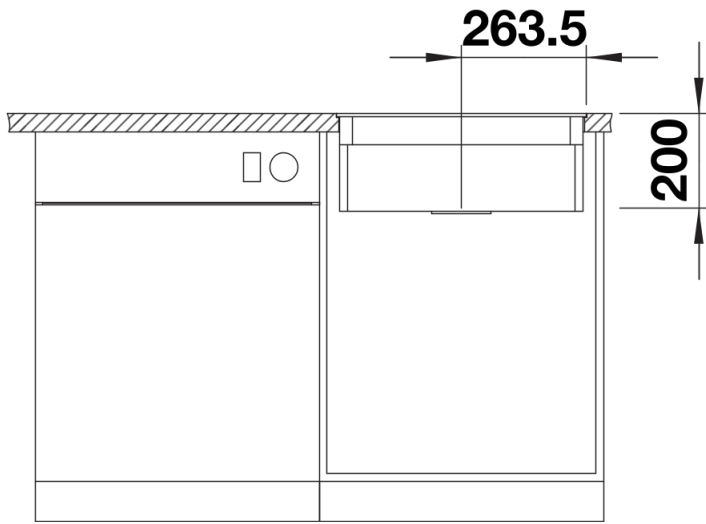
---



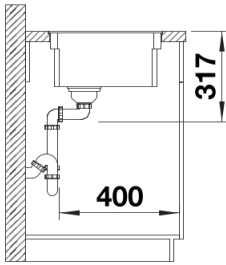
Top view



Cut-out



Front view



Side view