

## Product information sheet LANORA-F

Item no. 526181

### Benefits

---



- Suitable for installation beneath window
- High-quality design in solid stainless steel, brushed finish
- Clear mixer tap design for modern kitchens
- High-arched outlet for easy filling of pots and vases
- More freedom of movement with installations against a wall thanks to the control lever with vertical neutral position
- Energy-saving: basic setting of the control lever to cold start
- Minimum clearance between sink and window sash 2.5 cm

## Colours

---



solid stainless steel

Available colours:  
stainless steel

## Planning information

---

- \*Minimum clearance between sink and window sash 2.5 cm.

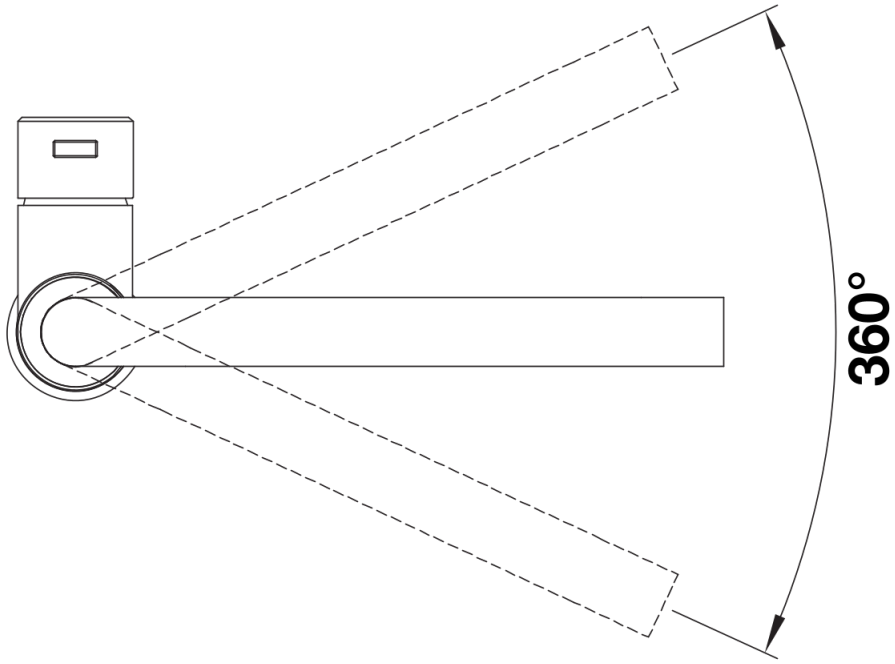
## Scope of supply

---

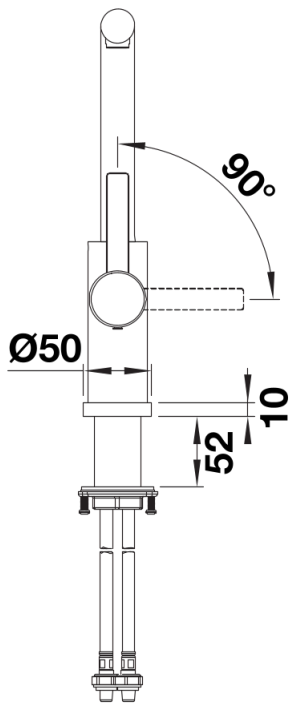
- 360° swivel spout for greater reach
- Ø 35 mm tap hole required
- With ceramic disk cartridge
- Flexible connector pipes, 950 mm long and  $\frac{3}{8}$ " nut
- Stabilisation plate to increase the stability of the tap when fitted in stainless steel sinks

## Details

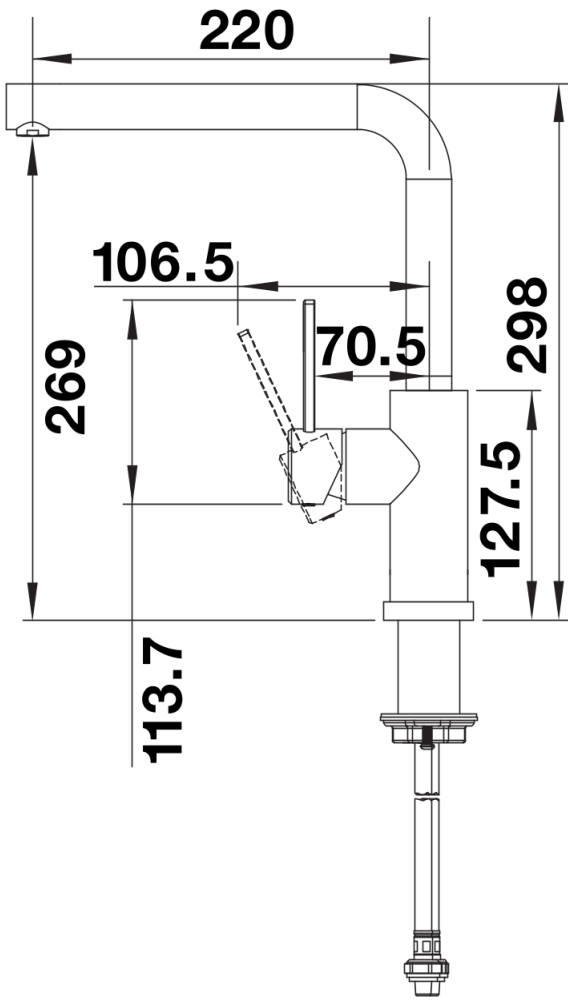
---



Swivel range



Side view hand gear 2D



Side view