

Product information sheet LANORA-F

Item no. 526179

Benefits



- Suitable for installation beneath window
- High-quality design in solid stainless steel, brushed finish
- Clear mixer tap design for modern kitchens
- High-arched outlet for easy filling of pots and vases
- More freedom of movement with installations against a wall thanks to the control lever with vertical neutral position
- Energy-saving: basic setting of the control lever to cold start
- Also available with handspray
- Minimum clearance between sink and window sash 2.5 cm

Colours



Available colours:
stainless steel

solid stainless steel

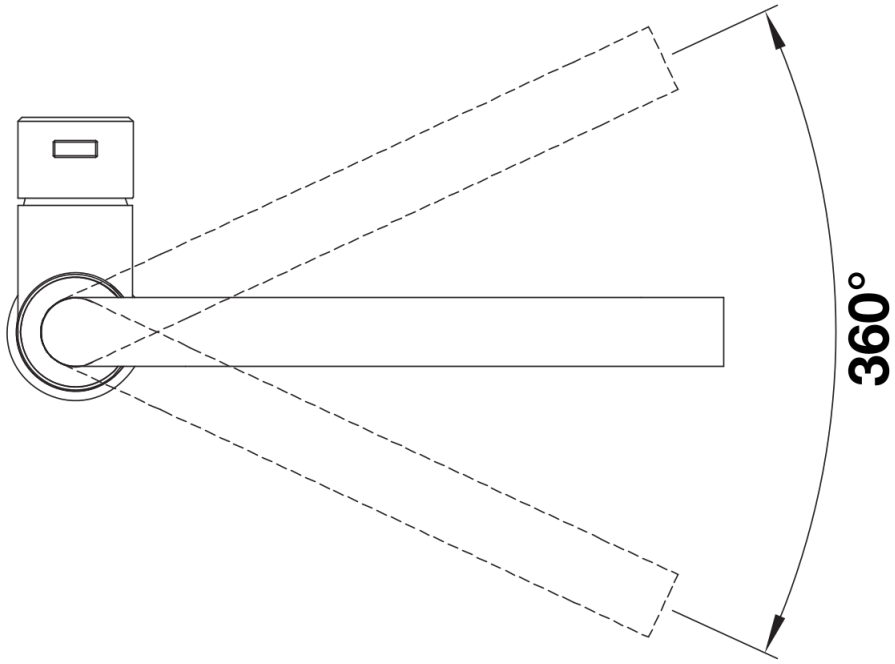
Planning information

- *Minimum clearance between sink and window sash 2.5 cm.

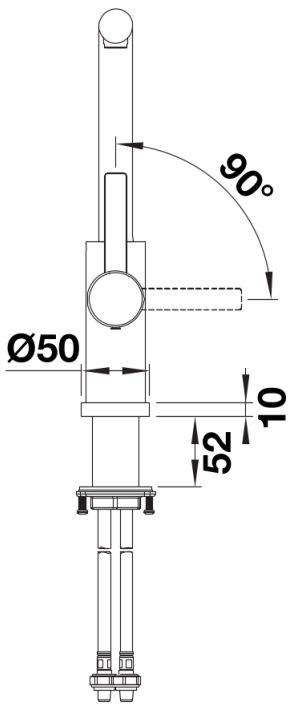
Scope of supply

- 360° swivel spout for greater reach
- Ø 35 mm tap hole required
- With ceramic disk cartridge
- Flexible connector pipes, 985 mm long and $\frac{3}{8}$ " nut for particularly easy and safe installation
- Patented jet regulator for markedly reduced scaling
- Stabilisation plate to increase the stability of the tap when fitted in stainless steel sinks
- LGA approved
- DVGW approved

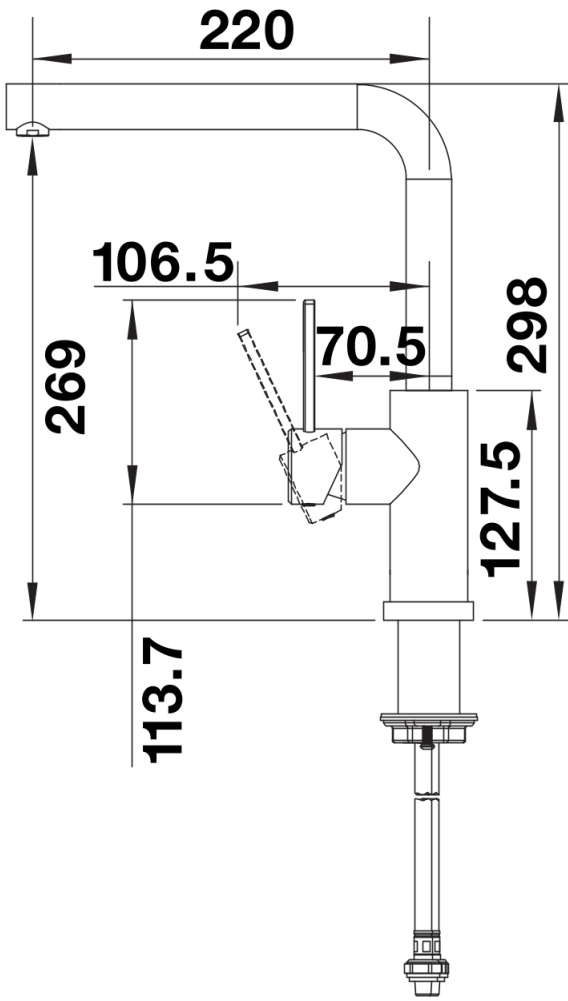
Details



Swivel range



Side view hand gear 2D



Side view