

Product information sheet LINUS

Item no. 517183

Benefits



- Minimalist design
- High spout for easy filling of pans and vases
- Spout can be swivelled through 360° for greater cover

Colours



solid stainless steel

Available colours:
stainless steel

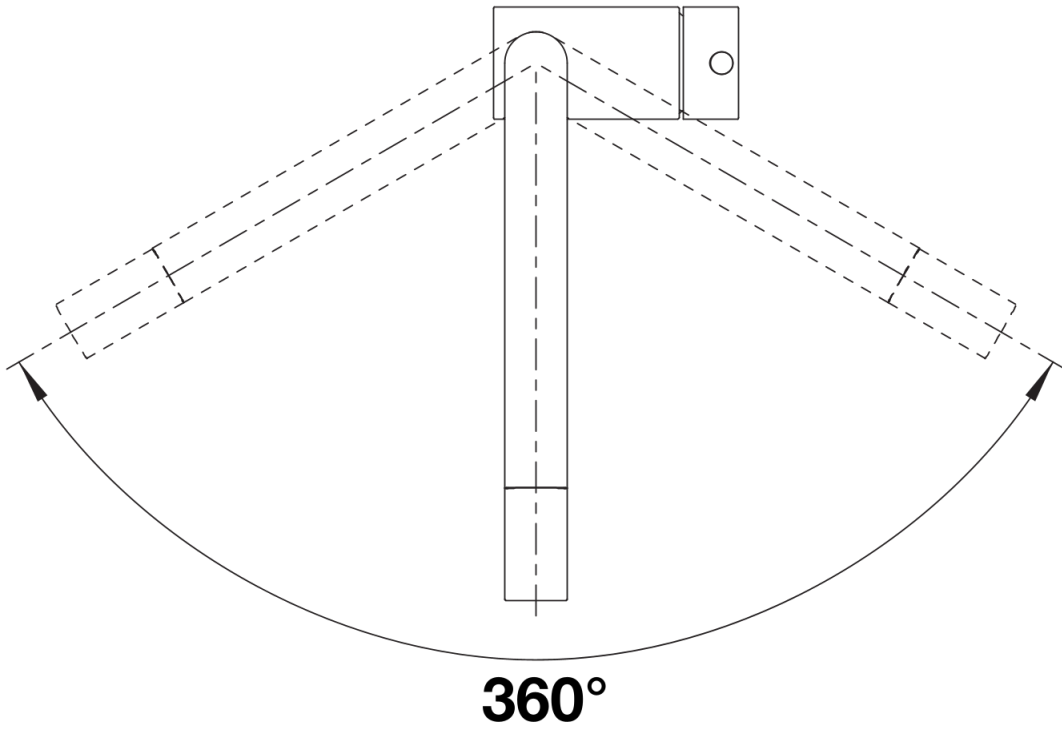
Planning information

- For ND version with flow rate control to protect the boiler.

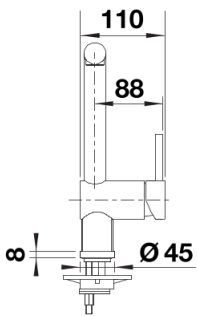
Scope of supply

- 360° swivel spout for greater reach
- Ø 35 mm tap hole required
- With ceramic disk cartridge
- Patented jet regulator for markedly reduced scaling
- Flexible connector pipes, 700 mm long and $\frac{3}{8}$ " nut
- Stabilisation plate to increase the stability of the tap when fitted in stainless steel sinks

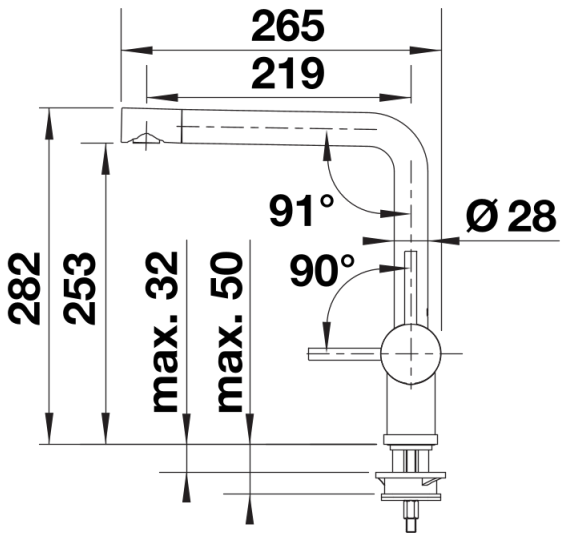
Details



Swivel range



Side view hand gear 2D



Side view