

Product information sheet LINUS

Item no. 526241

Benefits



- Minimalist design
- High spout for easy filling of pans and vases
- Spout can be swivelled through 360° for greater cover

Colours



Available colours:

PVD steel
satin gold

PVD PVD steel

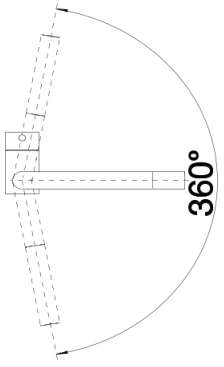
Planning information

- For ND version with flow rate control to protect the boiler.

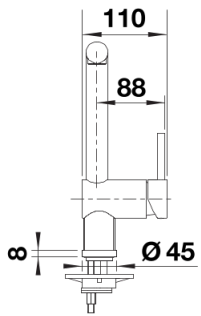
Scope of supply

- Single-lever mixer tap
- 360° swivel spout for greater reach
- Ø 35 mm tap hole required
- With ceramic disk cartridge
- Flexible connector pipes, 450 mm long and $\frac{3}{8}$ " nut for particularly easy and safe installation
- Patented jet regulator for markedly reduced scaling
- Stabilisation plate to increase the stability of the tap when fitted in stainless steel sinks
- LGA approved
- DVGW approved

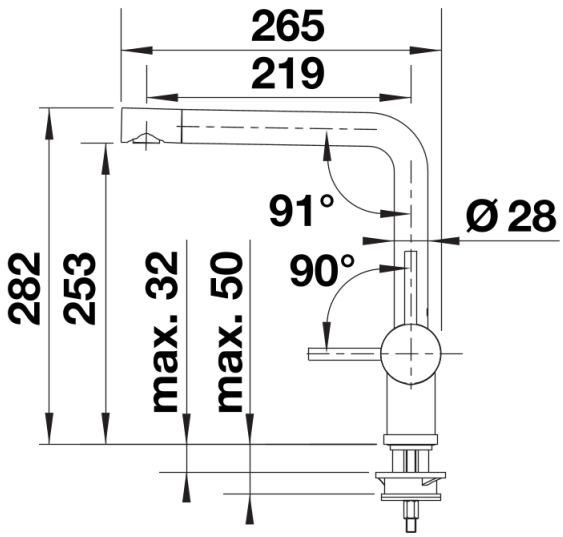
Details



Swivel range



Side view hand gear 2D



Side view