

Product information sheet LINEE

Item no. 517596

Benefits



- Elegant design
- Top lever for easy access
- Ceramic disc control
- High spout for easy filling of large pans and vases
- Enlarged working radius due to 360° swivelling arc spout

Colours



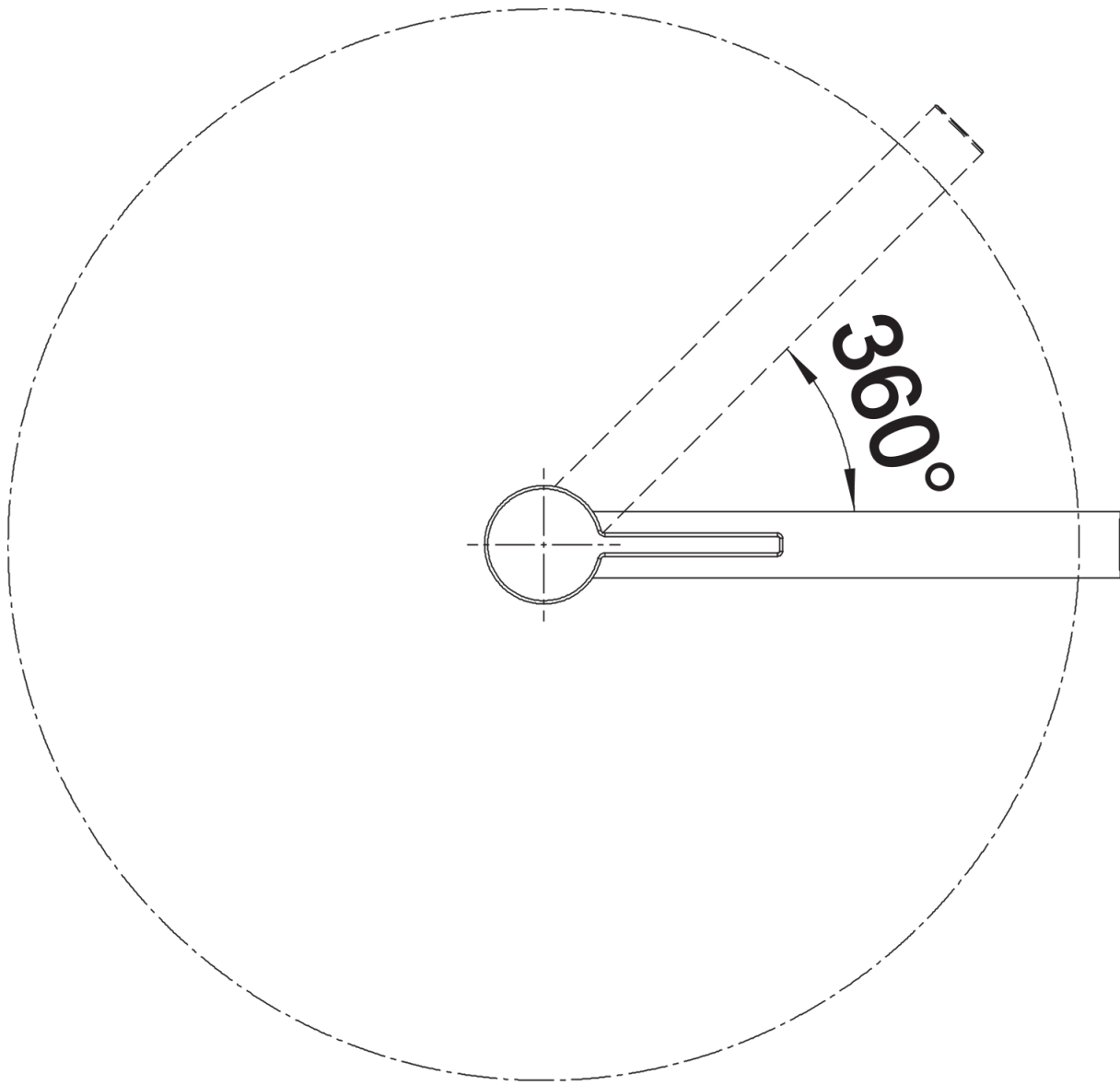
Available colours:
stainless steel satin matt

solid stainless steel satin matt

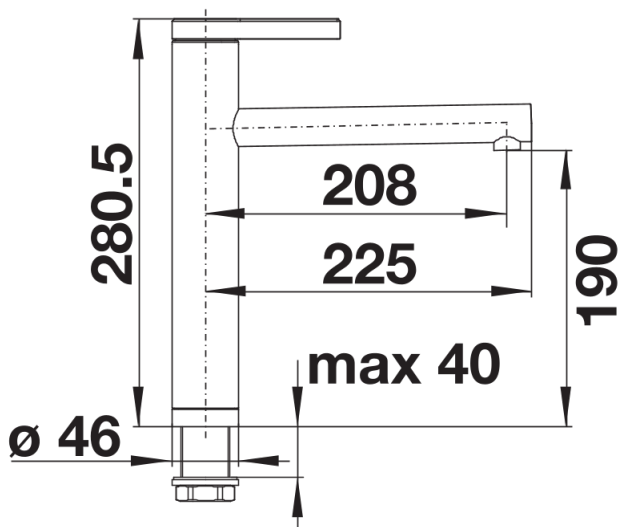
Scope of supply

- 360° swivel spout for greater reach
- Ø 35 mm tap hole required
- With ceramic disk cartridge
- Patented jet regulator for markedly reduced scaling
- Flexible connector pipes, 500 mm long and $\frac{3}{8}$ " nut
- Stabilisation plate to increase the stability of the tap when fitted in stainless steel sinks

Details



Swivel range



Side view