

## Product information sheet BLANCOWEGA-S II

Item no. 526428

### Benefits

---



- Top lever tap for greater ease of operation and flexible kitchen planning
- Pull-out dual spray: easy switch from aerated stream to powerful rinse spray
- Especially suitable for compact sinks and bowls
- Colour version for a perfect match with coloured SILGRANIT sinks and bowls

## Colours

---



Available colours:  
black/chrome  
anthracite/chrome  
volcano grey/chrome  
white/chrome  
soft white/chrome

SILGRANIT Look dual finish black/chrome

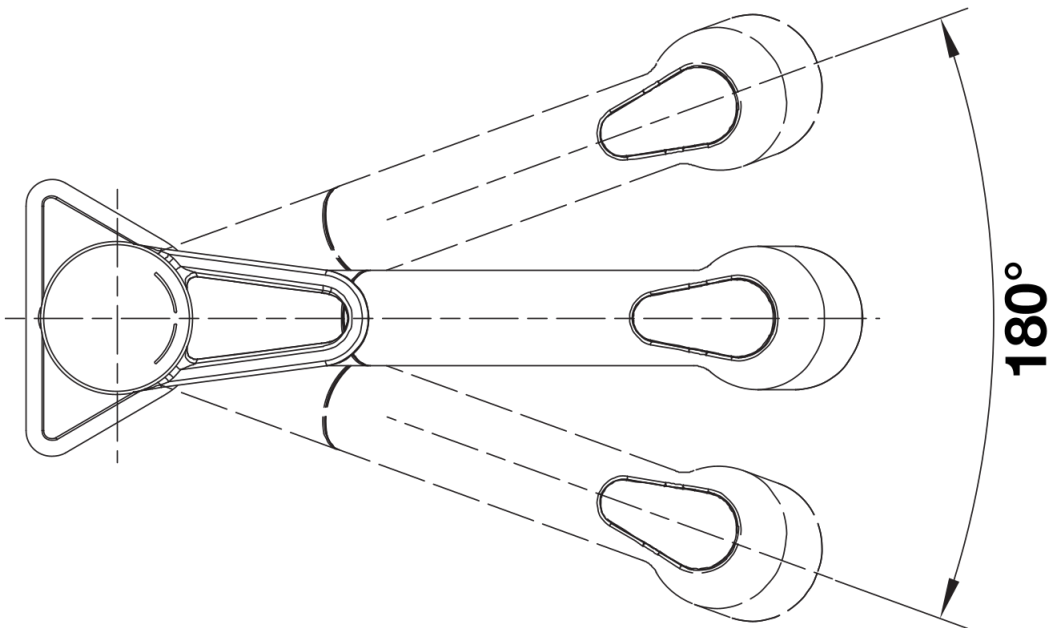
## Scope of supply

---

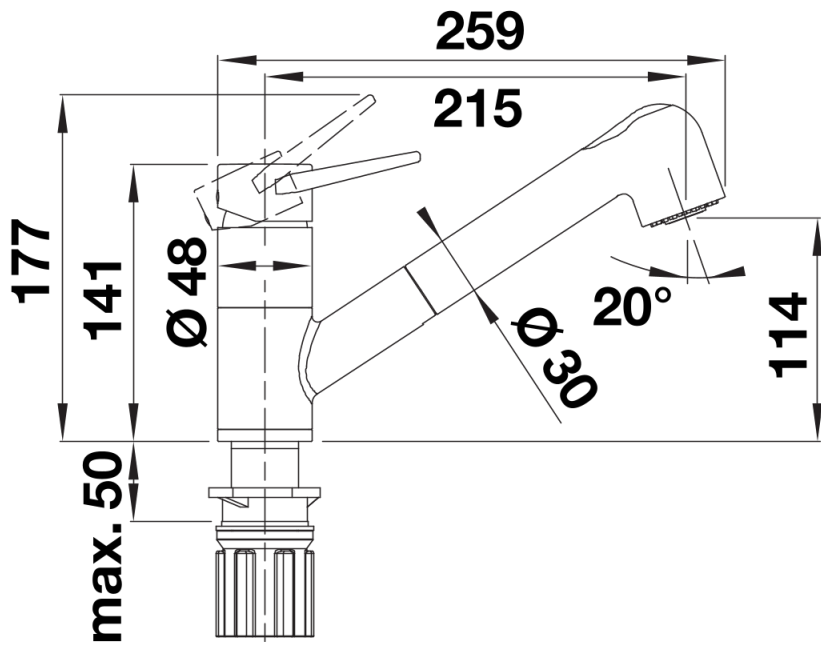
- 180° swivel spout for greater reach
- Ø 35 mm tap hole required
- With ceramic disk cartridge
- Patented jet regulator for markedly reduced scaling
- Spray made of plastic
- Nylon-sheathed spray hose
- Hose weight for reliable retraction
- Flexible connector pipes, 700 mm long and  $\frac{3}{8}$ " nut
- Stabilisation plate to increase the stability of the tap when fitted in stainless steel sinks
- With non-return valve and thus guaranteed against reflux in accordance with EN 1717

## Details

---



## Swivel range



Side view