

## Product information sheet drink.hot EVOL-S Pro

Item no. 526634

### Benefits

---



- 4-in-1 semi-pro mixer tap: cold, warm and filtered cold and filtered boiling water
- Click & Touch: Exact amount of filtered water conveniently set via accurate scaling wheel and intuitive touch control for water consumption on demand
- Separate insulated outlet for filtered cold and filtered hot water
- Safety concept for boiling hot water
- Dual spray with precise magnetic holder
- Black matt surface finish to precisely match the surroundings

## Scope of supply

---

### System:

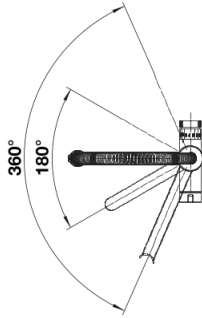
- Top-quality high-pressure titanium boiler (extremely corrosion-resistant, fully tasteless)
- Capacity: 4 Litres
- Temperature: 100° C
- Energy efficient (approx. 16W consumption in standby mode)
- Power outlet: 230 VAC, 50/60 Hz.
- Nominal power: 2200 W
- Safety group incl. drain system pipe connection
- High-end water filtering system by BWT, incl. filter head and multi-stage filter cartridge
- Control box with integrated display to show remaining filter capacity

### Tap:

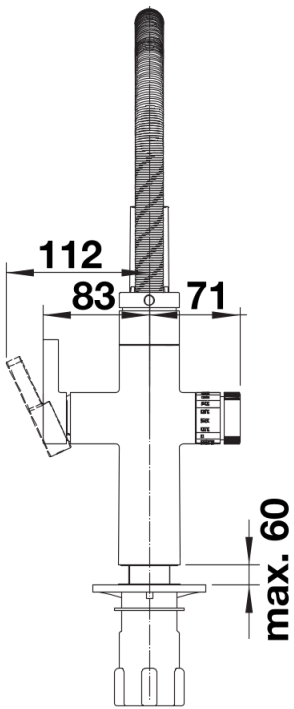
- 360° swivel spout for mixed water
- Separate 180° swivel spout for refined water
- Ø 35 mm tap hole required
- With ceramic disk cartridge
- Various flexible connection hoses and connection bends for particularly easy and safe assembly
- Patented jet regulator for markedly reduced scaling
- Stabilising plate to increase the stability of the tap when fitted in stainless steel sinks

## Details

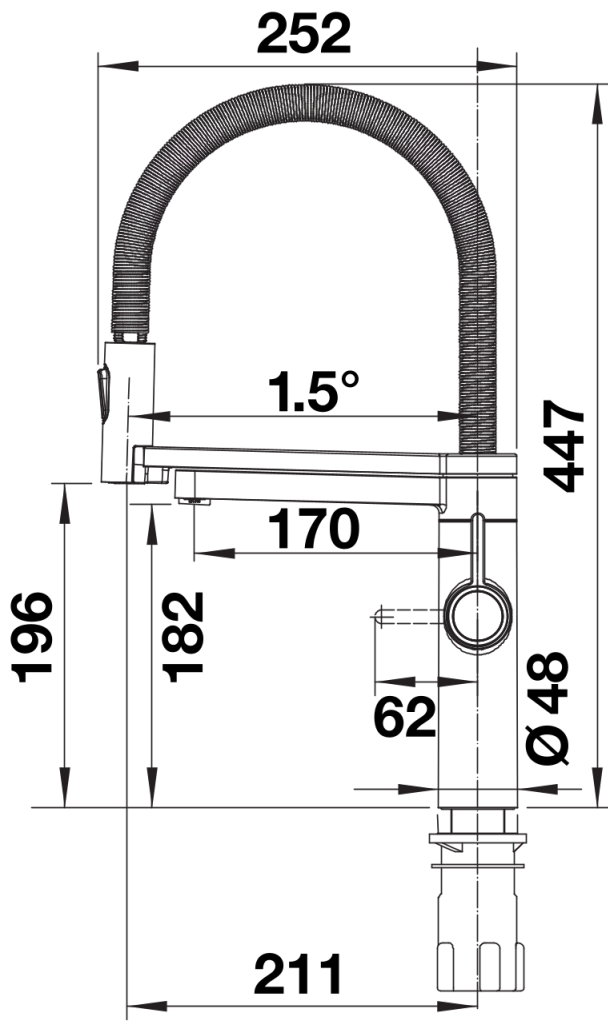
---



Swivel range



Side view hand gear 2D



Side view