

Product information sheet drink.soda EVOL-S Pro

Item no. 526633

Benefits



- 5-in-1 semi-pro mixer tap: cold, warm, chilled or refined drinking water, still, medium and fully sparkling
- Still, medium, sparkling: carbon dioxide content selected via separate scaling wheel
- Click & Touch: Exact amount of filtered water conveniently set via accurate scaling wheel and intuitive touch control for water consumption on demand
- Separate outlet for purified drinking water
- Dual spray with precise magnetic holder
- Black matt surface finish to precisely match the surroundings

Scope of supply

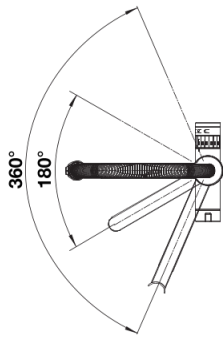
System:

- High-quality chilling and carbonation unit with intuitive touch display menu incl. capacity of filters and CO₂
- 1.4 L of chilled water stored in the system and available at any time
- Continuous cooling capacity of 8 liters per hour (depending on water inlet temperature and the water temperature set)
- Temperature adjustable between 4°C and 10°C
- Energy efficient (approx. 12 W consumption in standby mode)
- Power outlet: 230 VAC, 50/60 Hz.
- Nominal power: 220W
- High-end multi-stage filter by BWT with ion exchanger and active carbon
- Cleaning set (BWT EasyCare)
- 425 g CO₂ cylinder

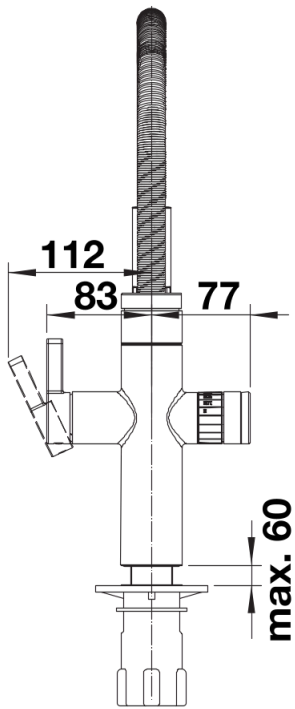
Tap:

- 360° swivel spout for mixed water
- Separate 180° swivel spout for refined water
- Ø 35 mm tap hole required
- With ceramic disk cartridge
- Patented jet regulator for markedly reduced scaling
- Stabilising plate to increase the stability of the tap when fitted in stainless steel sinks

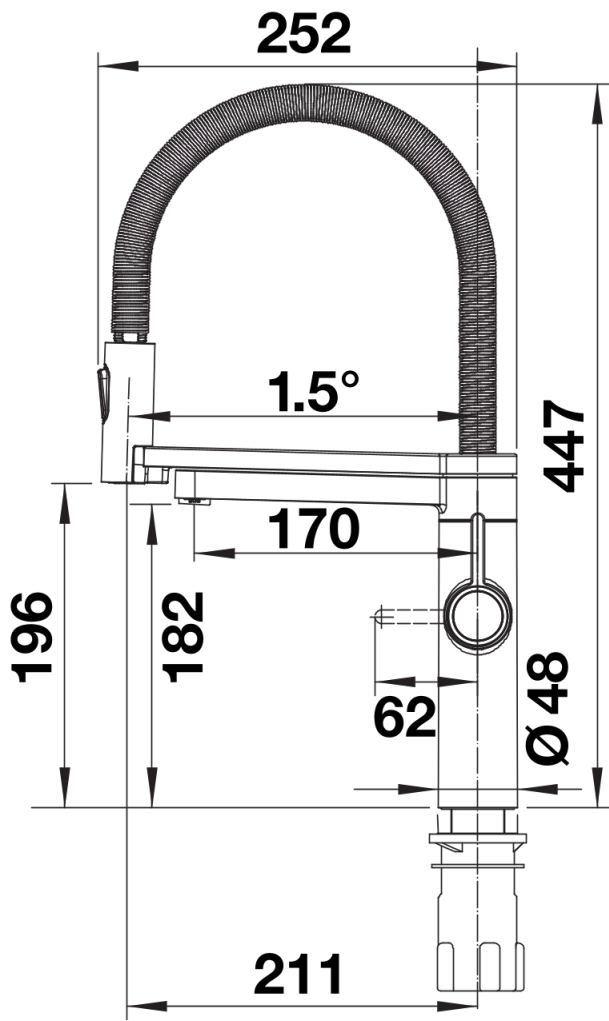
Details



Swivel range



Side view hand gear 2D



Side view