

Product information sheet JANDORA-S

Item no. 526614

Benefits



- High-quality tap design in solid stainless steel, brushed finish
- Clear mixer tap design for modern kitchens
- High arched outlet for easy filling of pots and vases
- More freedom of movement with installations against a wall thanks to control lever with vertical neutral position
- Energy-saving: basic setting of control lever to cold start
- Concealed pull-down spray

Colours



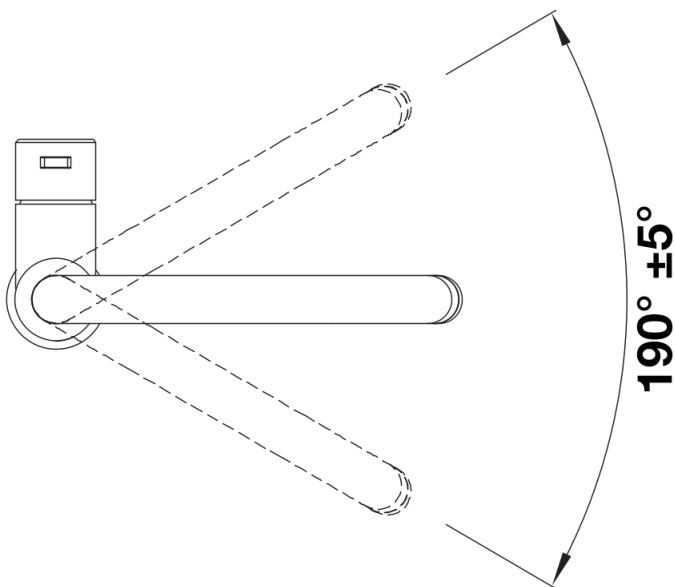
Available colours:
stainless steel

solid stainless steel

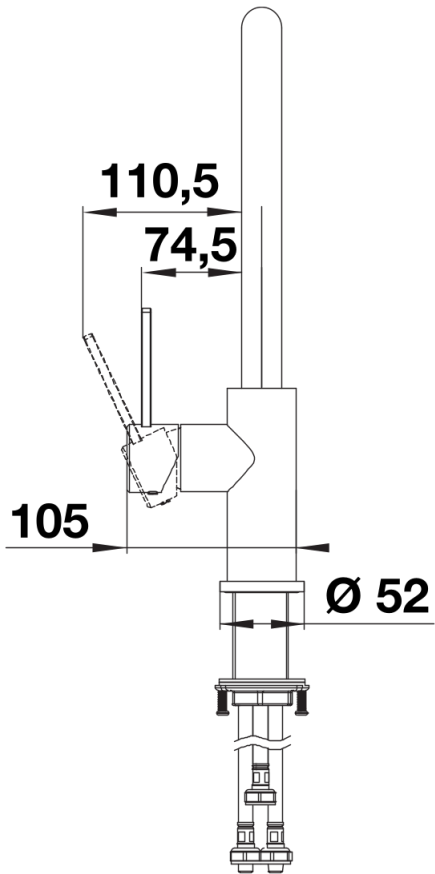
Scope of supply

- 190° swivel spout for greater reach
- Ø 35 mm tap hole required
- With ceramic disk cartridge
- Patented jet regulator for markedly reduced scaling
- Spray made of plastic
- Hidden spray with rearward guide pin
- Nylon-sheathed spray hose
- Hose weight for reliable retraction
- Flexible connector pipes, 700 mm long and $\frac{3}{8}$ " nut
- Stabilisation plate to increase the stability of the tap when fitted in stainless steel sinks
- With non-return valve and thus guaranteed against reflux in accordance with EN 1717

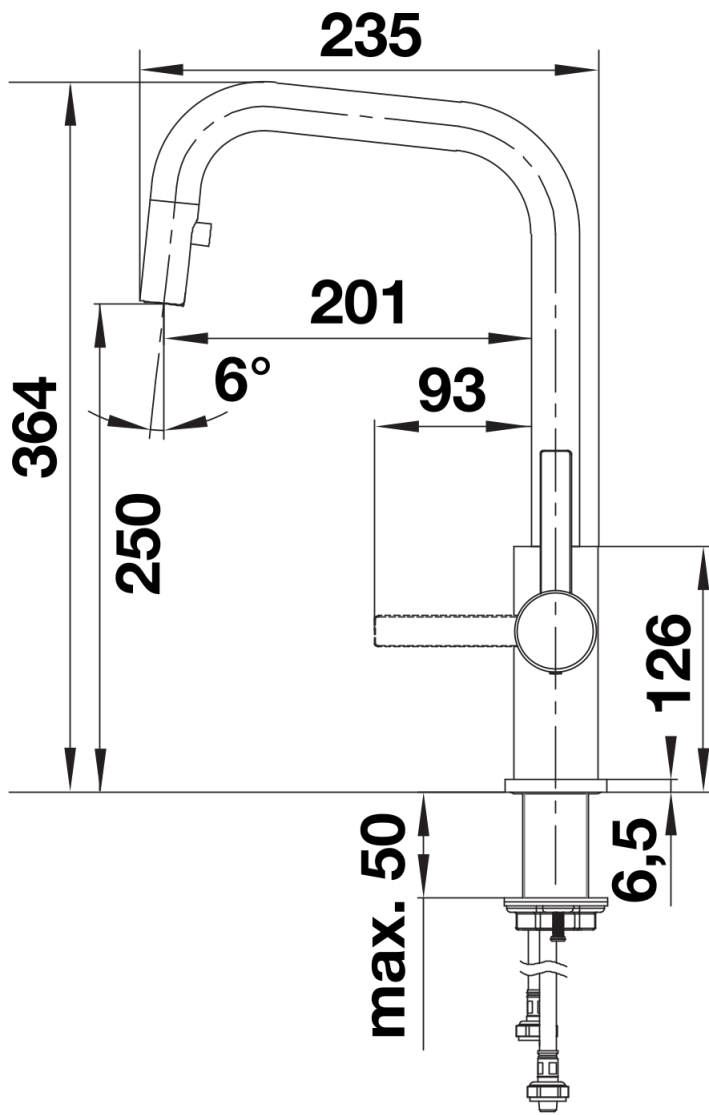
Details



Swivel range



Side view hand gear 2D



Side view