

## Product information sheet MILA

Item no. 526657

### Benefits

---



- Slender body with a straight-lined spout
- Black matt surface finish to precisely match the surroundings
- For the easy filling of tall pots and vases
- Enlarged working radius thanks to the 360° swivel spout

### Colours

---



Available colours:

black matt

Special colours black matt

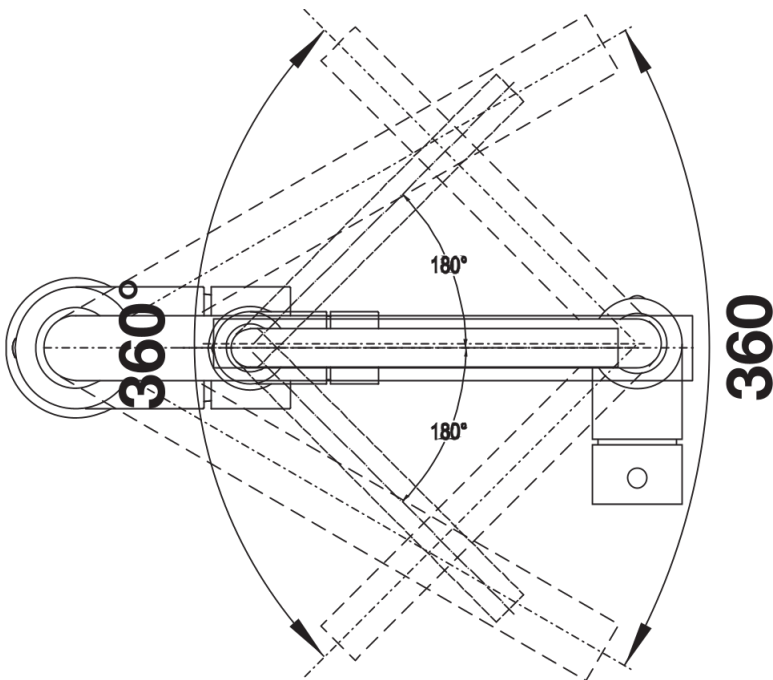
## Scope of supply

---

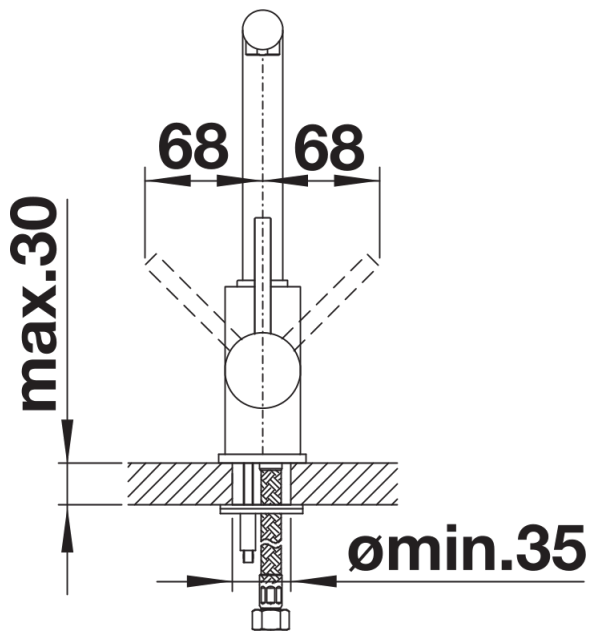
- Ceramic disk cartridge
- Flexible connector pipes, 350 mm long and  $\frac{3}{8}$ " nut for particularly easy installation
- $\varnothing$  35 mm tap hole required
- Use stabilisation plate to increase the stability of the tap when fitted in stainless steel sinks
- LGA approved
- DVGW approved

## Details

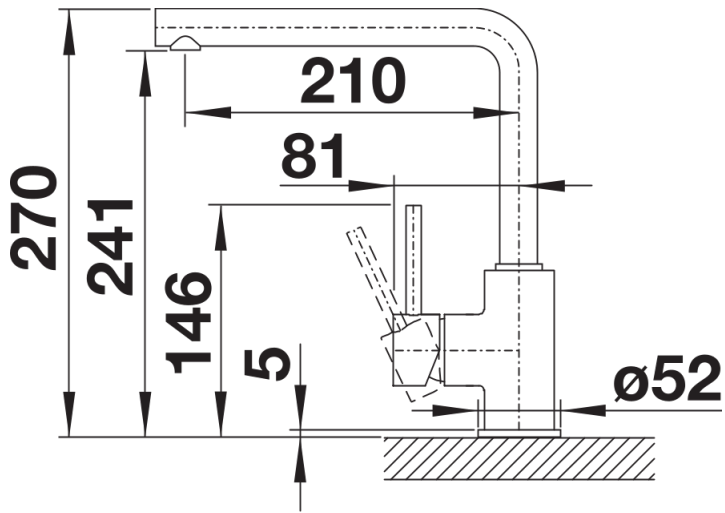
---



Swivel range



Side view hand gear 2D



Side view