

Product information sheet FWD Medium

Item no. 526647

Benefits



- Advanced model for the regular disposing of normal household amounts of food waste
- Optimal interface management for BLANCO sinks and bowls
- High quality and powerful AC induction motor
- Easy to install thanks to 3 bolt installation system
- Grinding components made of stainless steel
- 3 grinding stages for very fine grinding results
- Volume of grinding chamber 1200 ml

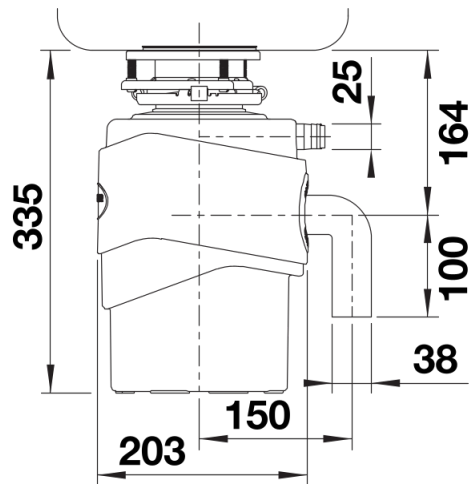
Planning information

- 3 ½" sink outlet required
- Product weight: 10,6 kg
- Non-detachable 90 cm power cord
- Reset-button on bottom of the FWD (note accessibility)

Scope of supply

- Removable baffle
- Plug and strainer to close drain
- Air switch with cover in chrome and PVD steel
- L-pipe with dishwasher or overflow connection
- Overflow connection for BLANCO sinks
- Wrench for mounting and free blockage

Details



Side view

Specification

auto-reverse function: No
automatic shutdown: Yes
dishwasher connection: Yes
feeding type: continuous
frequency: 50 Hz
grinding chamber capacity: 1200 ml
grinding components material: stainless steel
max. power consumption (W): 750 W
motor type: AC
mounting type: 3 bolt installation
overload protection: Yes
power plug type: E+F
rated current: 10 A
RPM: 1470 r/min
voltage: 230 V

View our how-to videos to learn more about installing and caring for BLANCO products:
<https://www.blanco.com/fwd-installation>



FAQ

de.espirit.firstspirit.access.editor.value.DomElementImpl@50ce82e5

<https://www.blanco.com/int-en/waste-management/food-waste-disposer/>

de.espirit.firstspirit.access.editor.value.DomElementImpl@4502d9bb