

## Product information sheet SUBLINE 500-U for Coloured Components

Item no. 527795

### Benefits

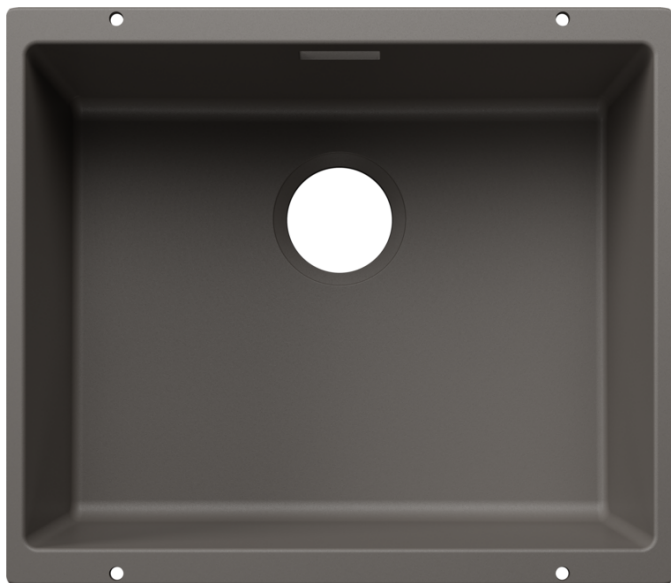
---



- Maximum colour flexibility by choosing complementing waste fitting set in satin gold, black matt, satin dark steel or satin platinum metal finishes (to be ordered with separate article number)
- Undermount bowl for discerning demands on design
- Timelessly elegant, contoured bowl design
- Entire system for a wide variety of plans featuring large and small bowls
- High-quality features with covered C-overflow and InFino drain system – elegantly integrated and easy-care
- Optional versatile accessories are available

## Colours

---



Available colours:

black  
anthracite  
rock grey  
volcano grey  
white  
soft white  
tartufo  
coffee

SILGRANIT volcano grey

## Planning information

---

- Cut-out radius: 10 mm  
- Drainage components must be ordered separately.  
- Please order drain connections for combinations of two individual bowls separately.

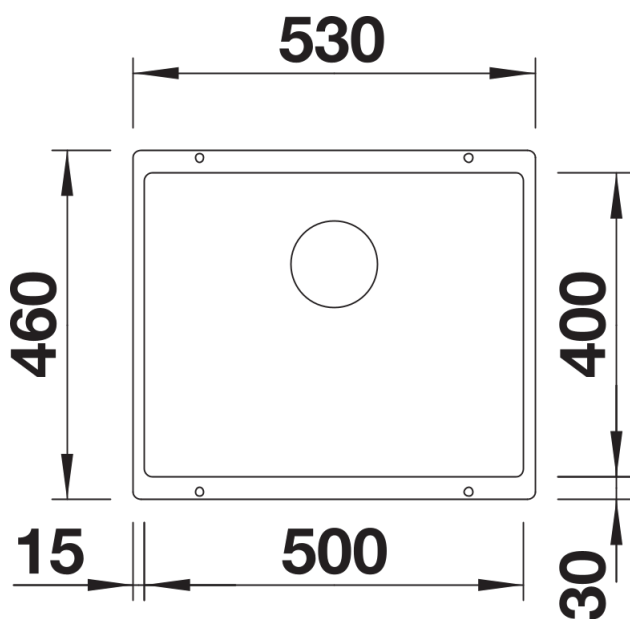
## Scope of supply

---

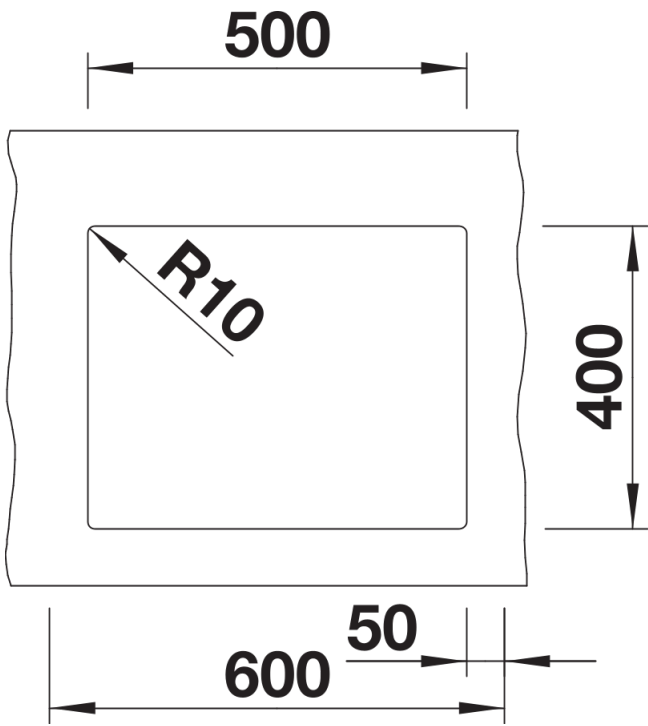
- fixing kit

## Details

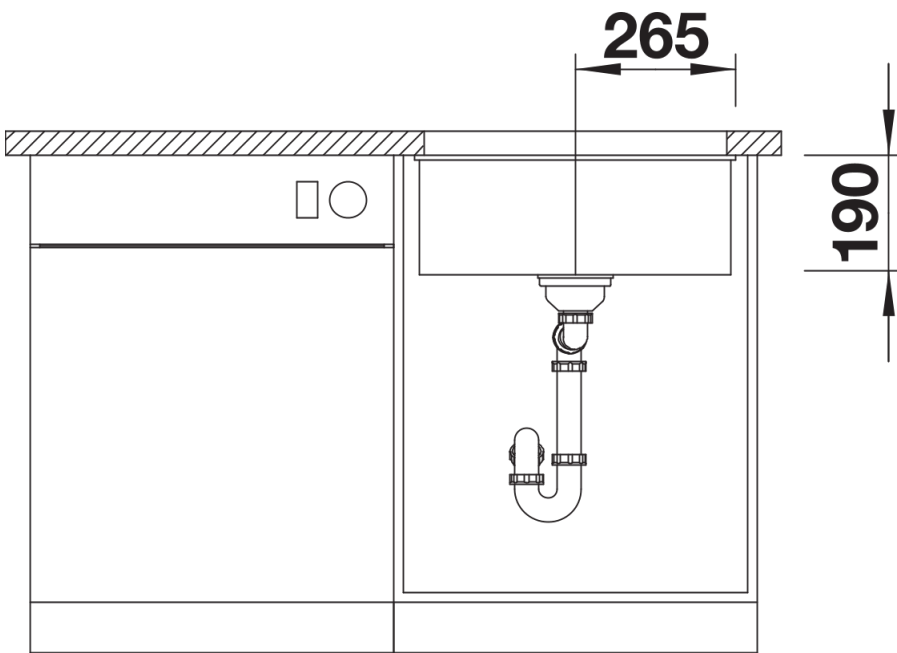
---



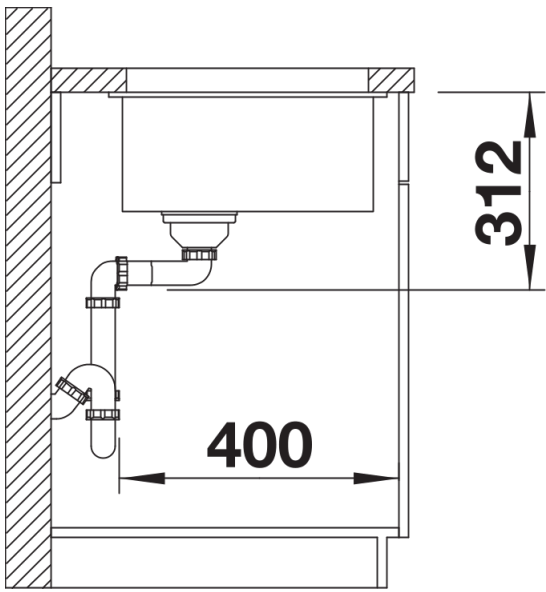
Top view



Cut-out



Front view



Side view