

Product information sheet CHOICE Icona

Item no. 527657

Benefits



- Gourmet water. Tap provides filtered water that can be chilled, sparkling (still, medium, classic) or boiling hot, beside the standard cold and warm tap water
- Intuitive tap operation with separate lever for tap water on the right and a scaling wheel with touch control on the left for treated water options
- Extra outlet for enhanced water – no mixture with mains water
- Flexible spring hose with dual selectable spray patterns and precise magnetic holder for comprehensive kitchen tap functionality in prep and clean workflows
- Available in solid stainless steel, black matt, satin gold and satin dark steel

Colours



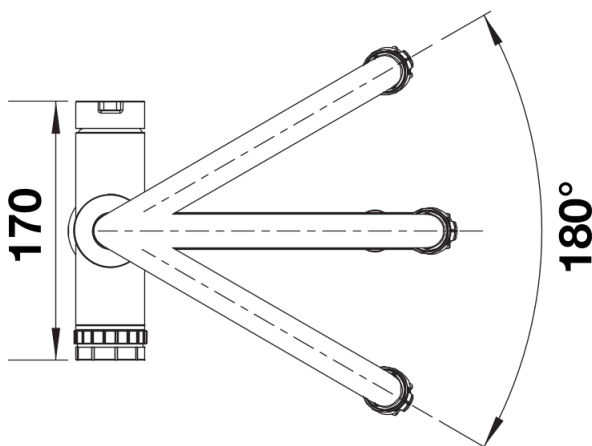
Available colours:
black matt

Special colours black matt

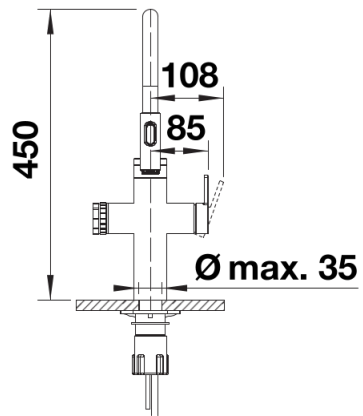
Scope of supply

- 6-in-1 semi-professional tap
- Still, medium, sparkling or boiling: the water type can be selected by using a separate rotary wheel
- Click and Touch: Selection of predefined conditioned water volume thanks to the scaling wheel and intuitive touch control
- Safety concept for secure handling of boiling water
- Reversible bi-directional two-jet shower for mixed water with magnetic holder
- 180° swivel spout for mixed water and refined water
- Material: stainless steel
- Ø 35 mm tap hole required
- With ceramic disk cartridge
- Patented jet regulator for markedly reduced scaling
- Various flexible connection hoses and connection bends for particularly easy and safe assembly
- Stabilising plate to increase the stability of the tap when fitted in stainless steel sinks

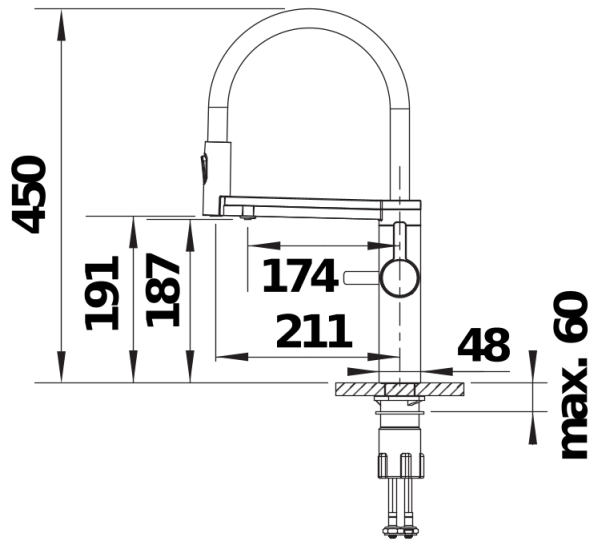
Details



Swivel range



Side view hand gear 2D



Side view