

Product information sheet ETAGON 6-F

Item no. 527674

Benefits



- Generous staggered bowl with added functionality
- Integrated step creates an additional functional level
- Clever system concept with versatile ETAGON rails
- High-quality features with the covered C-overflow and InFino drain system – elegantly integrated and easy-care
- Flushmount version

Colours



Available colours:

black
anthracite
rock grey
volcano grey
white
soft white
tartufo
coffee

SILGRANIT black

Planning information

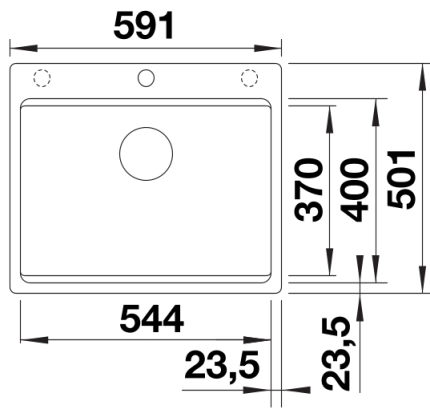
- In the area of the mixer tap, the supporting surface of the sink must be additionally notched on the worktop.
Model-related detailed dimensions and drawings can be found with the cut-out information online at www.blanco.com.

Scope of supply

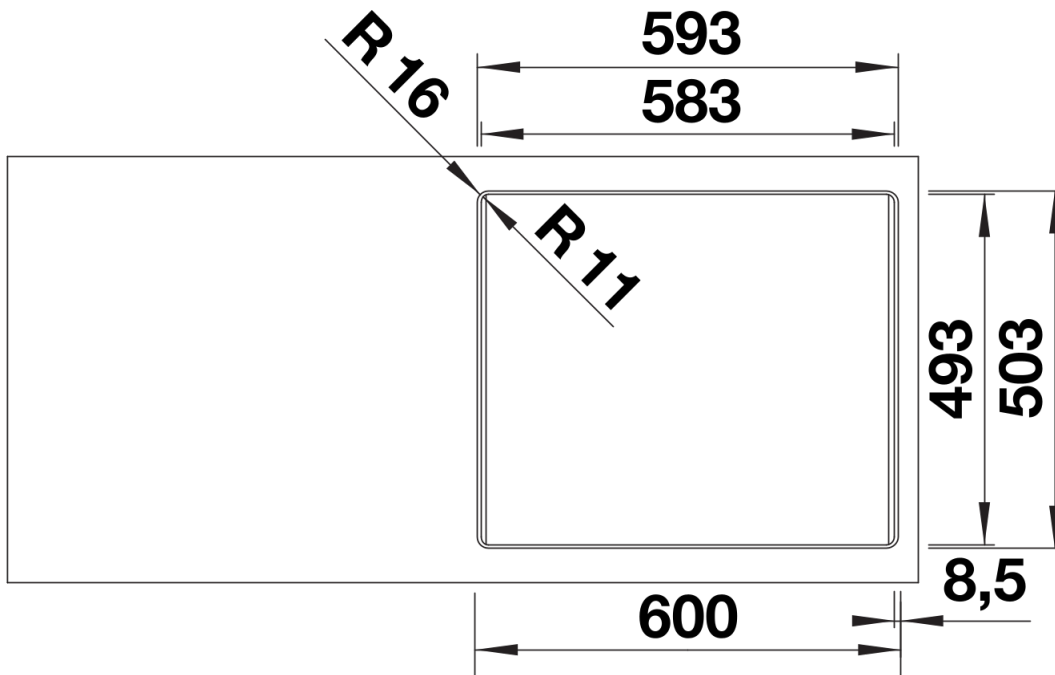
- 2 x ETAGON rails in stainless steel
- waste kit with space-saving pipe
- 3 ½" InFino basket strainer with drain remote control (pop-up)
- chrome-plated)

234164 - 2 x ETAGON rails

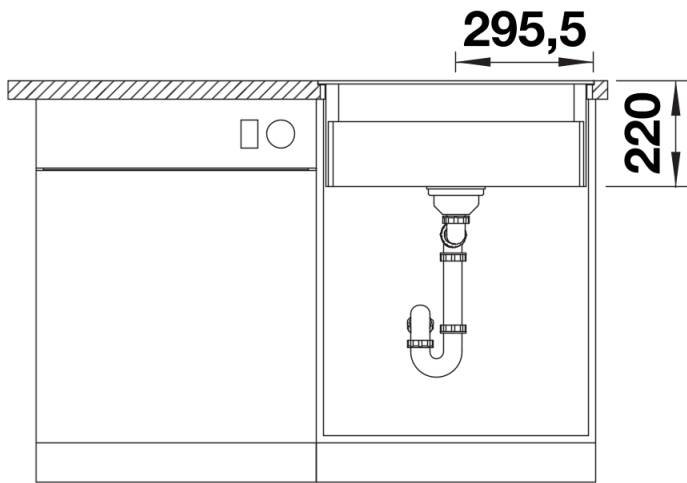
Details



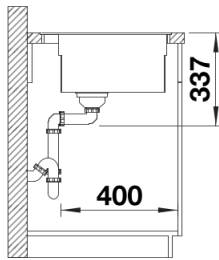
Top view



Cut-out



Front view



Side view