

## Product information sheet ETAGON 6-F

Item no. 527675

### Benefits

---



- Generous staggered bowl with added functionality
- Integrated step creates an additional functional level
- Clever system concept with versatile ETAGON rails
- High-quality features with the covered C-overflow and InFino drain system – elegantly integrated and easy-care
- Flushmount version

## Colours

---



Available colours:

black  
anthracite  
rock grey  
volcano grey  
white  
soft white  
tartufo  
coffee

SILGRANIT anthracite

## Planning information

---

- In the area of the mixer tap, the supporting surface of the sink must be additionally notched on the worktop.  
Model-related detailed dimensions and drawings can be found with the cut-out information online at [www.blanco.com](http://www.blanco.com).

## Scope of supply

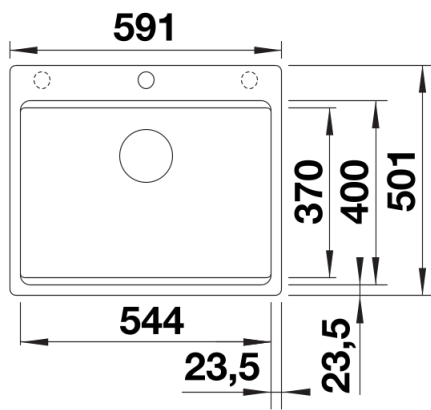
---

- 2 x ETAGON rails in stainless steel
- waste kit with space-saving pipe
- 3 ½" InFino basket strainer with drain remote control (pop-up)
- chrome-plated)

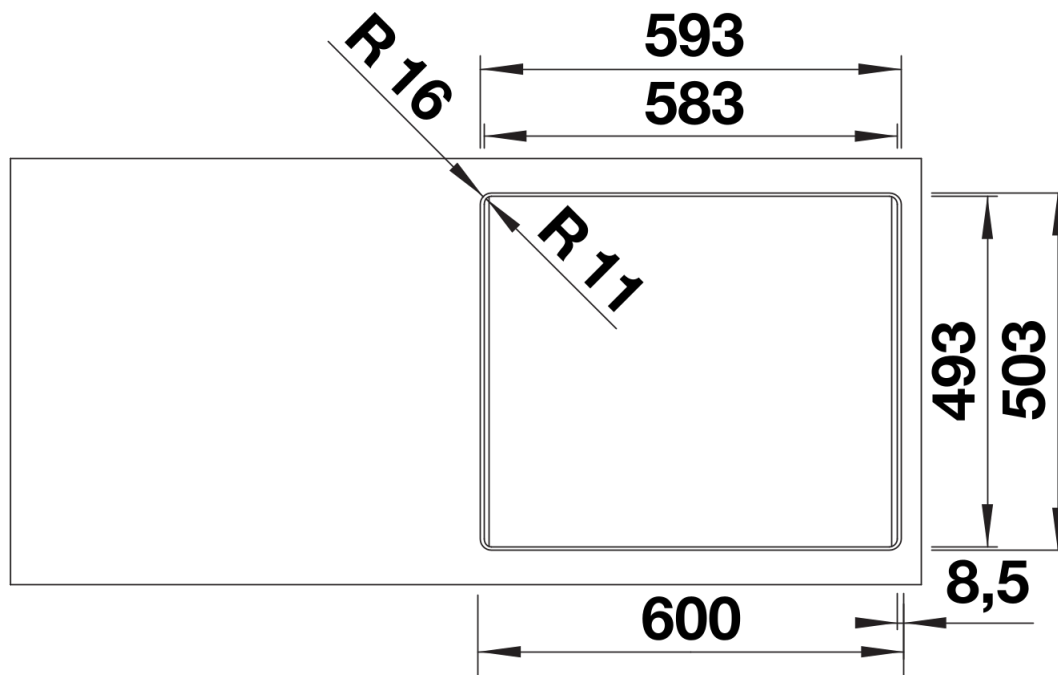
234164 - 2 x ETAGON rails

## Details

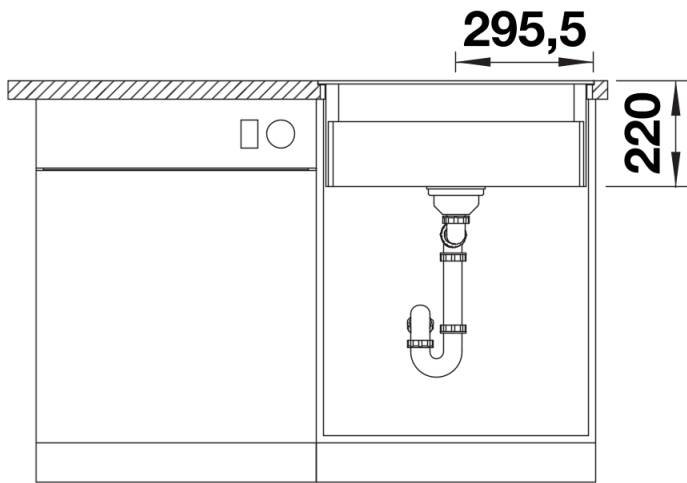
---



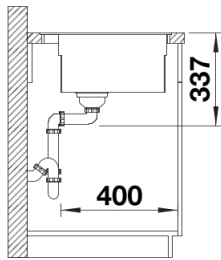
Top view



Cut-out



Front view



Side view