

## Product information sheet BLANCO CULINA-S II

Item no. 527465

### Benefits

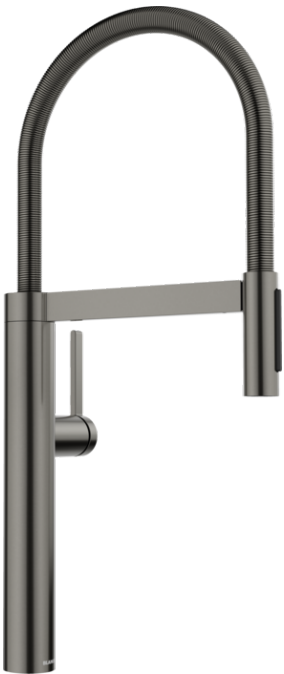
---



- Iconic mixer tap combining exquisite design with semi-pro functionality
- High arch and flexible metallic hose provide optimal range of motion
- Dual spray: easy switch between clear spray and powerful shower for highest functionality
- Comfortable locking of the hose with a hidden magnet holder
- Energy-saving: basic setting of the control lever to cold-start
- Available in a variety of beautiful finishes

### Colours

---



Available colours:

- PVD steel
- satin dark steel
- satin platinum

PVD satin dark steel

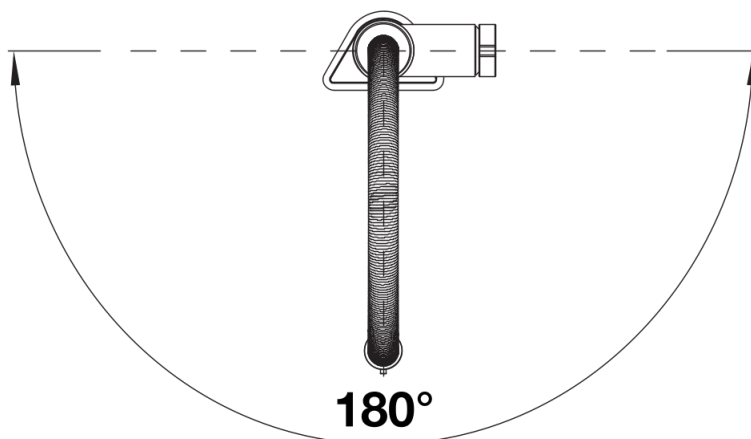
## Scope of supply

---

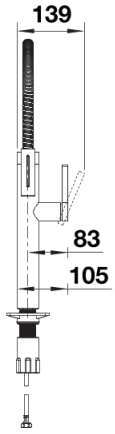
- 180° swivel spout for greater reach
- Ø 35 mm tap hole required
- Easy and fast professional installation with BLANCO Lock
- With ceramic disk cartridge
- Clear stream aerator
- Spray made of metal
- Magnetized handspray holder for ease of use
- Metal-sheathed spray hose
- Flexible connector pipes, 950 mm long and  $\frac{3}{8}$ " nut
- Stabilisation plate to increase the stability of the tap when fitted in stainless steel sinks
- With non-return valve and thus guaranteed against reflux in accordance with EN 1717

## Details

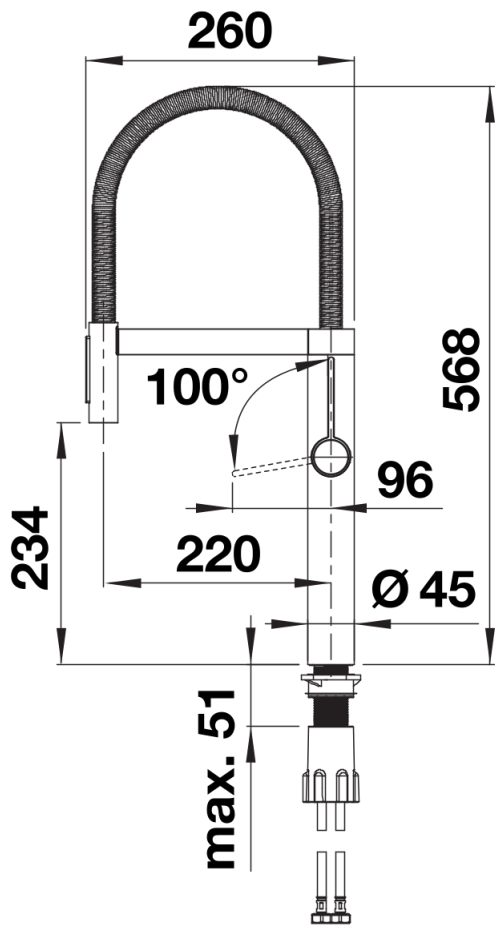
---



## Swivel range



Side view hand gear 2D



Side view