

Product information sheet SELECT II 40/2 Combi

Item no. 527854

Benefits



- The meticulously designed solution for BLANCO drink systems: making good use of the base cabinet space thanks to the harmonious interaction of all system components
- Particularly good access to the water conditioning unit for changing the filter or CO2 cylinders
- Everything in one place: the integrated shelf provides room for 4 CO2 cylinders
- All of the system components have a matching design
- All parts are easy to clean thanks to the generous and smooth surfaces

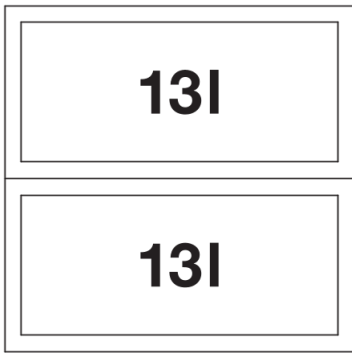
Planning information

- Not for use with frame or panel doors
- Installation height 442 mm, installation depth 400 mm, necessary inside cabinet dimensions for pull-out rails 451 mm
- This requires front doors without hinges or drill holes. Please note the handle position.
- When planning, please note the installation height of the waste management system, the installation depth of the sink and the resulting minimum dimensions of the base cabinet.
- Floor-mounted pull-out rails
- System cover not extendable
- Minimum recommended plinth height for MOVEX installation: 100 mm.

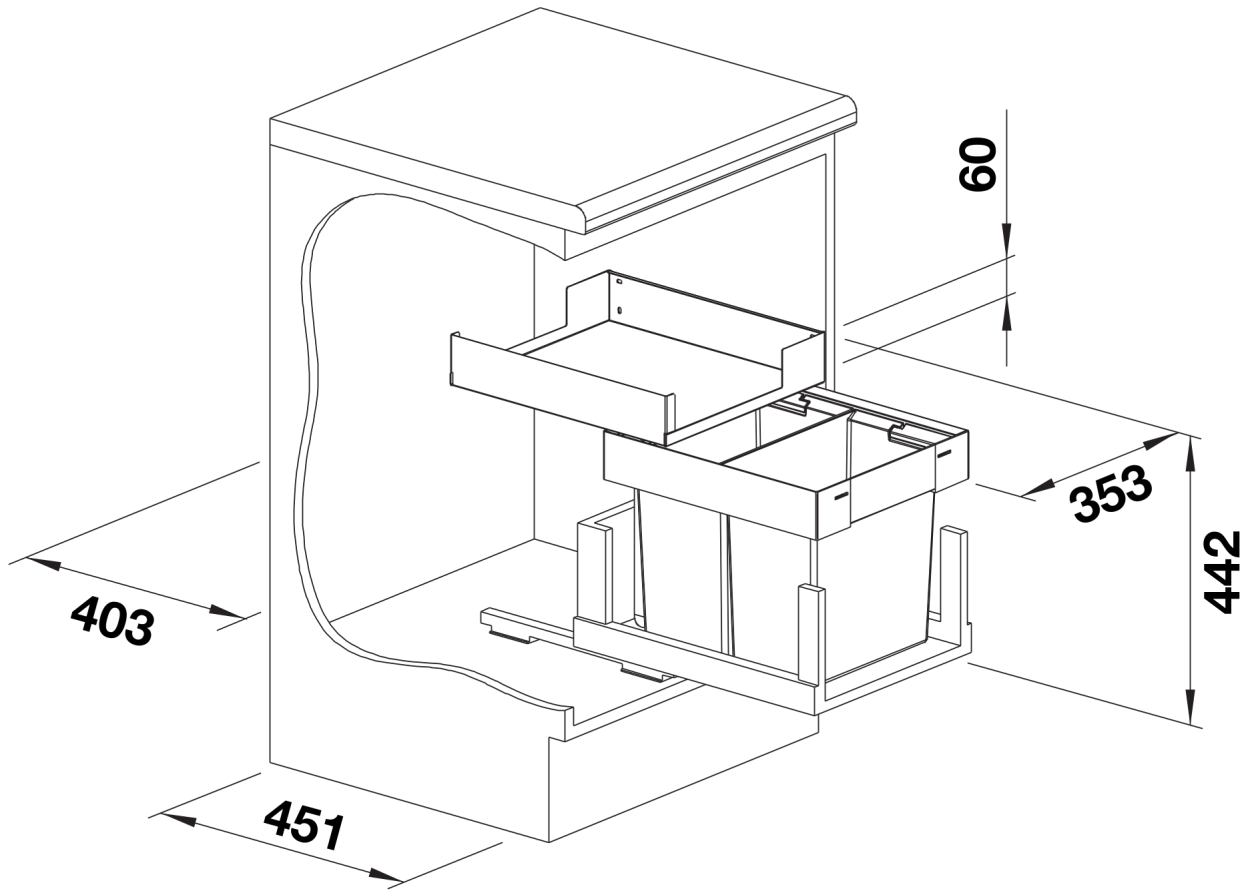
Scope of supply

- pull-out system for front attachment
- drawer
- pull-out rails
- integrated shelf
- 2 x 13 l bins.

Details



Top view



PRODUKT_3D