

Product information sheet KANO-S-F Vario

Item no. 527969

Benefits



- Suitable for installation beneath window
- Slim tap in aesthetic design
- Pull-out spray hose with dual spray pattern for added reach and convenience
- Especially suitable for compact sinks
- Spout can be swivelled through 120° for greater reach

Colours



Available colours:
chrome

galvanic chrome

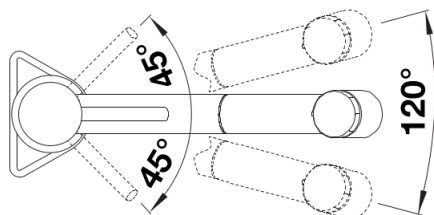
Planning information

- Minimum clearance between sink and window sash 4.5 cm

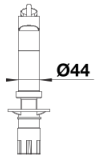
Scope of supply

- 120° swivel spout for greater reach
- Ø 35 mm tap hole required
- With ceramic disk cartridge
- Patented jet regulator for markedly reduced scaling
- Spray made of plastic
- Nylon-sheathed spray hose
- Hose weight for reliable retraction
- Flexible connector pipes, 950 mm long and $\frac{3}{8}$ " nut
- Stabilisation plate to increase the stability of the tap when fitted in stainless steel sinks
- With non-return valve and thus guaranteed against reflux in accordance with EN 1717

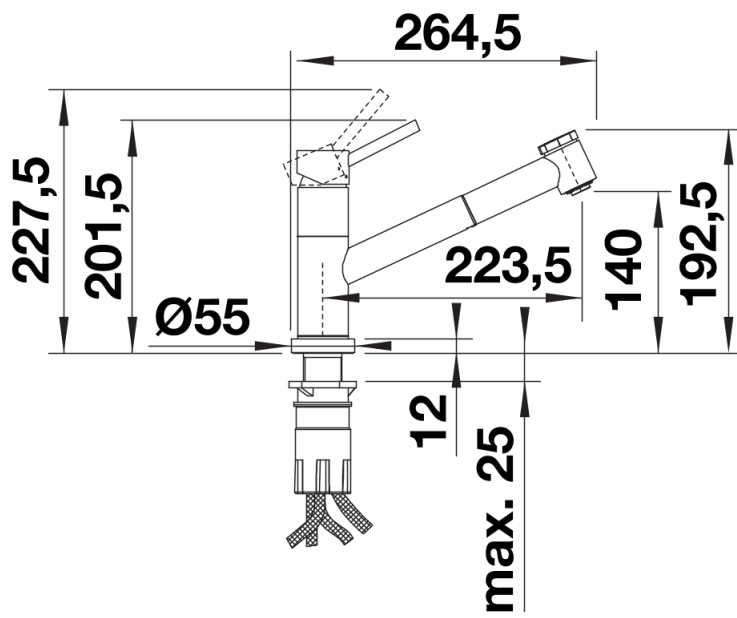
Details



Swivel range



Side view hand gear 2D



Side view