

Product information sheet KANO-F

Item no. 527959

Benefits



- Suitable for installation beneath window
- Slim tap in aesthetic design
- Especially suitable for compact sinks
- Spout can be swivelled through 360° for greater cover

Colours



Available colours:
chrome

galvanic chrome

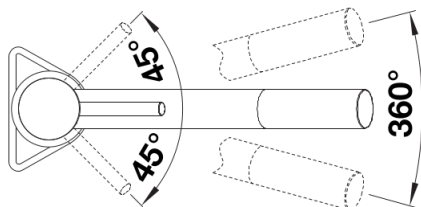
Planning information

- Minimum clearance between sink and window sash 3.5 cm

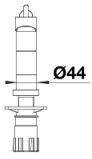
Scope of supply

- 360° swivel spout for greater reach
- Ø 35 mm tap hole required
- With ceramic disk cartridge
- Patented jet regulator for markedly reduced scaling
- Flexible connector pipes, 950 mm long and $\frac{3}{8}$ " nut
- Stabilisation plate to increase the stability of the tap when fitted in stainless steel sinks

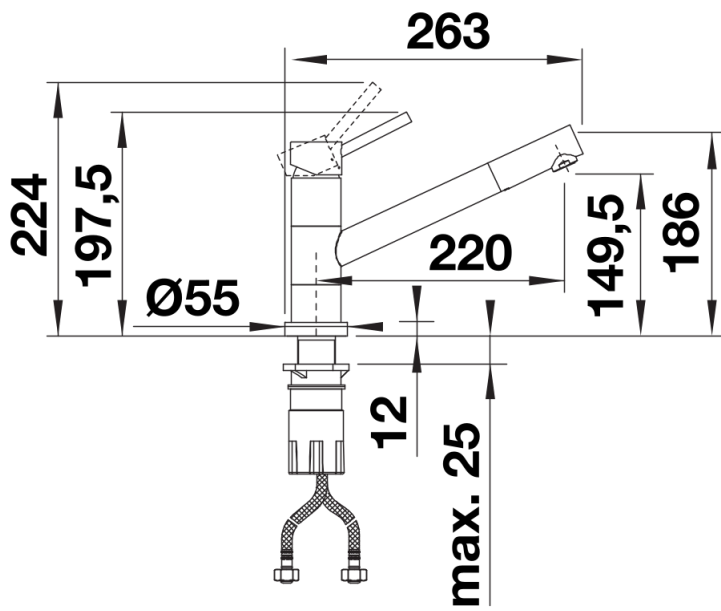
Details



Swivel range



Side view hand gear 2D



Side view