

Product information sheet SUBLINE 340/160-U

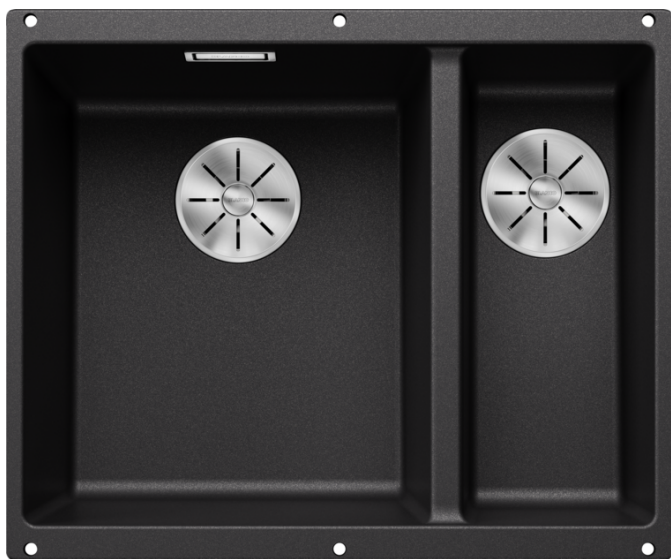
Item no. 523548

Benefits



- Undermount bowl for discerning demands on design
- Timelessly elegant, contoured bowl design
- Entire system for a wide variety of plans featuring large and small bowls
- High-quality features with covered C-overflow and InFino drain system – elegantly integrated and easy-care
- Optional versatile accessories are available

Colours



Available colours:

black
anthracite
rock grey
volcano grey
white
soft white
tartufo
coffee

SILGRANIT anthracite

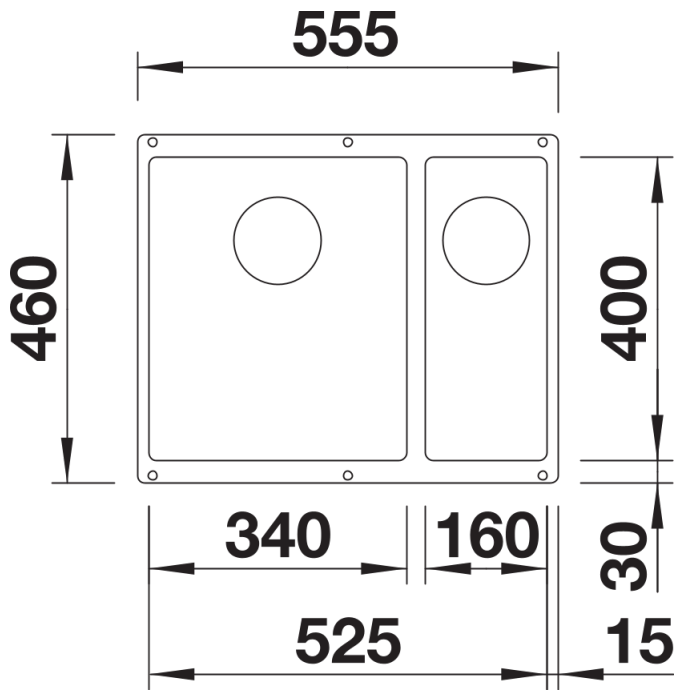
Planning information

- Cut-out radius: 10 mm

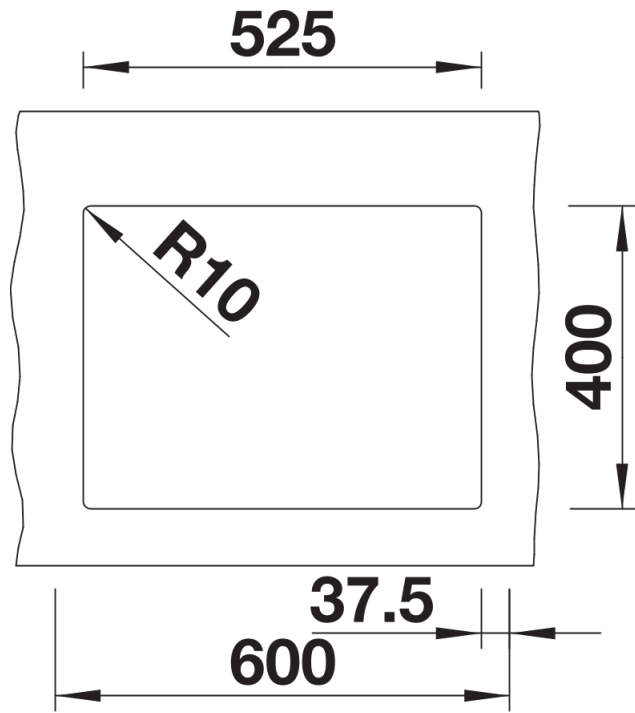
Scope of supply

- waste kit with space-saving pipe
- waste connection
- 2 x 3 ½" InFino basket strainer
- fixing kit

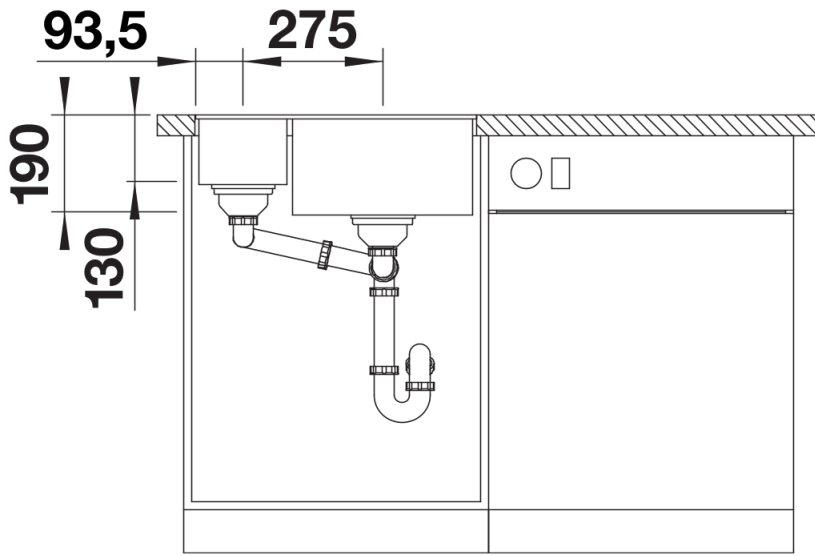
Details



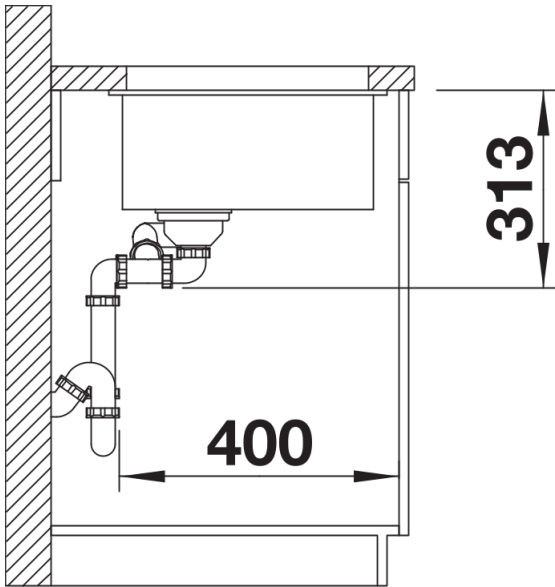
Top view



Cut-out



Front view



Side view